

MN Dept of Transportation

TRAFFIC DATA COLLECTION - Metro

TH-61 at 159th Street

HUGO

File Name : TH-61 at 159th Street-HUGO 2014

Ref.Pt.: 153.914

Site Code :

video - MR

Start Date : 12/9/2014

TURN MOVEMENT COUNT

Page No : 1

Groups Printed- Cars +

Start Time	TH-61 Southbound				159th St (HUGO) Westbound				TH-61 Northbound				159th St (HUGO) Eastbound				Int. Total
	Left	Thru	Right	Peds	Left	Thru	Right	Peds	Left	Thru	Right	Peds	Left	Thru	Right	Peds	
06:00	0	57	0	0	0	0	0	0	1	21	0	0	2	0	7	0	88
06:15	2	76	0	0	0	0	0	0	3	30	1	0	4	0	16	0	132
06:30	2	111	1	0	0	0	0	0	2	35	0	0	5	0	13	0	169
06:45	0	100	0	0	0	0	0	0	4	30	0	0	3	0	16	0	153
Total	4	344	1	0	0	0	0	0	10	116	1	0	14	0	52	0	542
07:00	0	109	2	0	1	0	0	0	7	33	0	0	3	0	28	0	183
07:15	0	112	1	0	1	0	0	0	6	41	0	0	7	0	27	0	195
07:30	0	97	3	0	0	0	1	0	12	42	0	0	12	0	19	0	186
07:45	0	104	5	0	0	0	0	0	16	41	0	0	4	0	23	0	193
Total	0	422	11	0	2	0	1	0	41	157	0	0	26	0	97	0	757
08:00	0	70	6	0	0	0	0	0	7	29	0	0	1	0	27	0	140
08:15	0	69	3	0	0	0	0	0	9	39	0	0	4	0	10	0	134
08:30	0	53	1	0	0	0	0	0	5	34	0	0	7	0	17	0	117
08:45	1	69	1	0	0	0	0	0	6	35	0	0	5	0	17	0	134
Total	1	261	11	0	0	0	0	0	27	137	0	0	17	0	71	0	525
*****BREAK*****																	
15:00	0	56	4	0	0	0	0	0	13	103	0	0	1	0	10	0	187
15:15	0	58	5	0	0	0	0	0	16	102	0	0	2	0	3	0	186
15:30	0	49	6	0	0	0	1	0	24	104	0	0	5	0	12	0	201
15:45	0	51	8	0	0	0	0	0	19	142	0	0	5	0	10	0	235
Total	0	214	23	0	0	0	1	0	72	451	0	0	13	0	35	0	809
16:00	0	61	2	0	0	0	0	0	8	118	0	0	4	0	12	0	205
16:15	0	47	5	0	0	0	0	0	10	103	0	0	3	0	12	0	180
16:30	0	78	4	0	0	0	0	0	25	129	0	0	4	0	14	0	254
16:45	0	62	2	0	0	0	0	0	21	123	0	0	0	0	19	0	227
Total	0	248	13	0	0	0	0	0	64	473	0	0	11	0	57	0	866
17:00	0	64	8	0	0	0	0	0	25	106	0	0	4	0	17	0	224
17:15	0	53	8	0	0	0	0	0	18	111	0	0	1	0	5	0	196
17:30	0	46	2	0	0	0	0	0	20	101	0	0	3	0	12	0	184
17:45	0	49	7	0	0	0	0	0	14	83	0	0	4	0	23	0	180
Total	0	212	25	0	0	0	0	0	77	401	0	0	12	0	57	0	784
*****BREAK*****																	
Grand Total	5	1701	84	0	2	0	2	0	291	1735	1	0	93	0	369	0	4283
Apprch %	0.3	95	4.7	0	50	0	50	0	14.4	85.6	0	0	20.1	0	79.9	0	
Total %	0.1	39.7	2	0	0	0	0	0	6.8	40.5	0	0	2.2	0	8.6	0	

MN Dept of Transportation

TRAFFIC DATA COLLECTION - Metro

TH-61 at 159th Street

HUGO

File Name : TH-61 at 159th Street-HUGO 2014

Ref.Pt.: 153.914

Site Code :

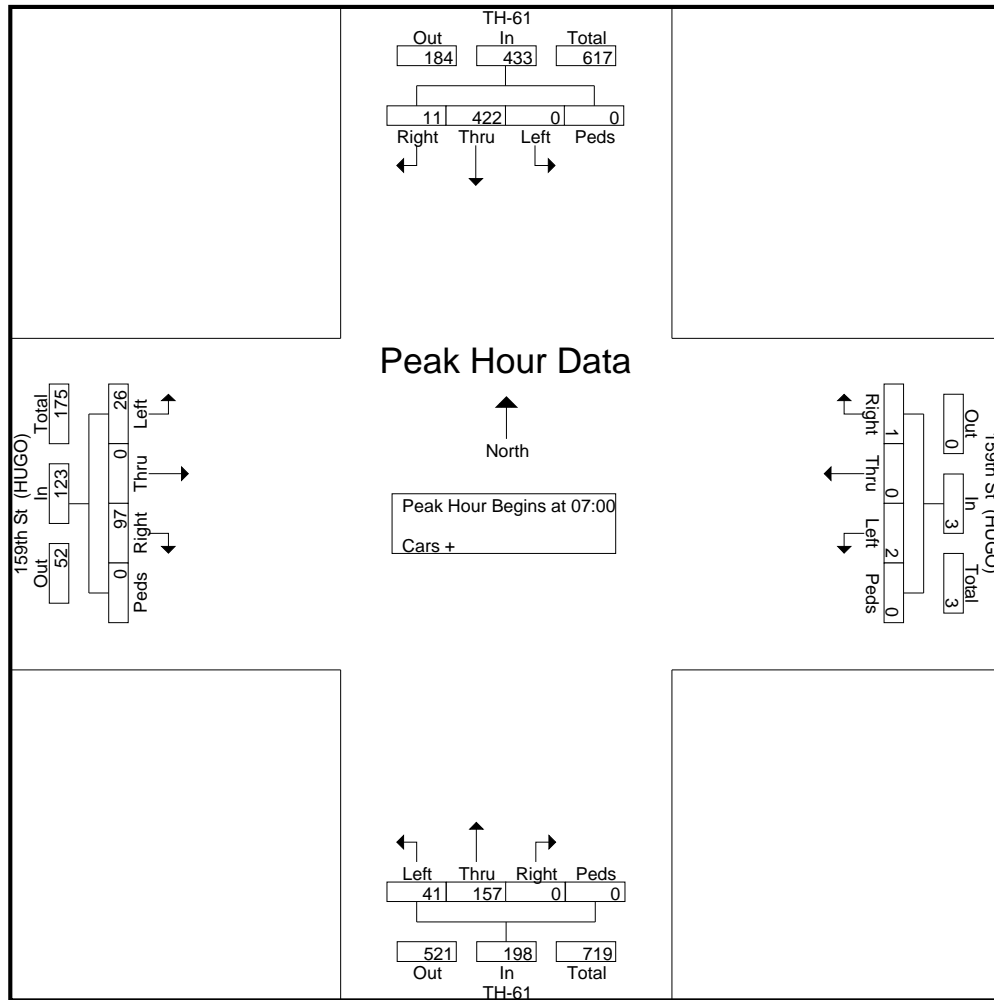
video - MR

Start Date : 12/9/2014

TURN MOVEMENT COUNT

Page No : 2

Start Time	TH-61 Southbound					159th St (HUGO) Westbound					TH-61 Northbound					159th St (HUGO) Eastbound					Int. Total
	Left	Thru	Right	Peds	App. Total	Left	Thru	Right	Peds	App. Total	Left	Thru	Right	Peds	App. Total	Left	Thru	Right	Peds	App. Total	
Peak Hour Analysis From 06:00 to 08:45 - Peak 1 of 1																					
Peak Hour for Entire Intersection Begins at 07:00																					
07:00	0	109	2	0	111	1	0	0	0	1	7	33	0	0	40	3	0	28	0	31	183
07:15	0	112	1	0	113	1	0	0	0	1	6	41	0	0	47	7	0	27	0	34	195
07:30	0	97	3	0	100	0	0	1	0	1	12	42	0	0	54	12	0	19	0	31	186
07:45	0	104	5	0	109	0	0	0	0	0	16	41	0	0	57	4	0	23	0	27	193
Total Volume	0	422	11	0	433	2	0	1	0	3	41	157	0	0	198	26	0	97	0	123	757
% App. Total	0	97.5	2.5	0		66.7	0	33.3	0		20.7	79.3	0	0		21.1	0	78.9	0		
PHF	.000	.942	.550	.000	.958	.500	.000	.250	.000	.750	.641	.935	.000	.000	.868	.542	.000	.866	.000	.904	.971



MN Dept of Transportation

TRAFFIC DATA COLLECTION - Metro

TH-61 at 159th Street

HUGO

File Name : TH-61 at 159th Street-HUGO 2014

Ref.Pt.: 153.914

Site Code :

video - MR

Start Date : 12/9/2014

TURN MOVEMENT COUNT

Page No : 3

Start Time	TH-61 Southbound					159th St (HUGO) Westbound					TH-61 Northbound					159th St (HUGO) Eastbound					Int. Total
	Left	Thru	Right	Peds	App. Total	Left	Thru	Right	Peds	App. Total	Left	Thru	Right	Peds	App. Total	Left	Thru	Right	Peds	App. Total	
Peak Hour Analysis From 15:00 to 19:15 - Peak 1 of 1																					
Peak Hour for Entire Intersection Begins at 16:30																					
16:30	0	78	4	0	82	0	0	0	0	0	25	129	0	0	154	4	0	14	0	18	254
16:45	0	62	2	0	64	0	0	0	0	0	21	123	0	0	144	0	0	19	0	19	227
17:00	0	64	8	0	72	0	0	0	0	0	25	106	0	0	131	4	0	17	0	21	224
17:15	0	53	8	0	61	0	0	0	0	0	18	111	0	0	129	1	0	5	0	6	196
Total Volume	0	257	22	0	279	0	0	0	0	0	89	469	0	0	558	9	0	55	0	64	901
% App. Total	0	92.1	7.9	0		0	0	0	0		15.9	84.1	0	0		14.1	0	85.9	0		
PHF	.000	.824	.688	.000	.851	.000	.000	.000	.000	.000	.890	.909	.000	.000	.906	.563	.000	.724	.000	.762	.887

