



MINNESOTA DEPT OF TRANSPORTATION

TRAFFIC DATA COLLECTION - METRO

TH-61 AT TH-97 NORTH JCT
 Ref.Pt;
 Jamar # T-2638 CAH
 TURN MOVEMENT COUNT

File Name : TH-61 AT TH-97 NORTH JCT
 Site Code : 00000000
 Start Date : 9/11/2012
 Page No : 1

Groups Printed- Unshifted

Start Time	TH-61 Southbound				TH-97 NORTH JCT Westbound				TH-61 Northbound				TH-97 NORTH JCT Eastbound				Int. Total
	Left	Thru	Right	Peds	Left	Thru	Right	Peds	Left	Thru	Right	Peds	Left	Thru	Right	Peds	
06:00	13	53	2	0	215	1	24	0	0	13	21	0	0	0	1	0	343
06:15	28	68	2	0	163	0	23	0	1	23	39	0	1	0	1	0	349
06:30	35	71	3	0	177	1	34	0	0	31	42	0	0	0	1	0	395
06:45	29	62	4	0	160	0	52	0	1	44	37	0	1	0	0	0	390
Total	105	254	11	0	715	2	133	0	2	111	139	0	2	0	3	0	1477
07:00	81	63	0	0	138	1	54	2	3	58	41	0	2	0	0	1	444
07:15	121	101	2	0	133	0	74	0	1	85	57	3	0	2	1	3	583
07:30	103	96	1	6	119	2	64	0	3	167	115	0	1	0	2	10	689
07:45	91	121	6	0	131	0	100	0	5	91	39	1	0	1	5	11	602
Total	396	381	9	6	521	3	292	2	12	401	252	4	3	3	8	25	2318
08:00	32	69	6	0	95	2	53	0	3	63	62	0	3	4	2	0	394
08:15	37	79	2	0	104	2	37	0	3	74	49	0	3	0	1	0	391
08:30	26	62	3	0	102	2	35	1	2	52	39	0	1	2	0	0	327
08:45	47	73	4	0	124	2	53	0	1	86	29	0	3	1	3	0	426
Total	142	283	15	0	425	8	178	1	9	275	179	0	10	7	6	0	1538
*** BREAK ***																	
11:00	50	72	4	0	76	1	33	0	4	67	46	0	9	0	2	0	364
11:15	45	81	4	0	73	2	46	0	3	70	65	2	7	1	4	1	404
11:30	53	71	4	0	70	0	41	0	3	69	64	0	6	2	0	0	383
11:45	41	78	5	0	58	0	54	0	1	88	59	0	6	0	2	0	392
Total	189	302	17	0	277	3	174	0	11	294	234	2	28	3	8	1	1543
12:00	65	76	1	0	56	0	42	0	3	87	48	0	6	0	1	0	385
12:15	66	69	3	0	61	1	47	0	3	76	55	0	4	2	5	0	392
12:30	50	74	3	0	79	1	60	0	3	87	44	0	1	1	6	0	409
12:45	60	85	5	0	51	1	42	0	3	91	48	0	4	2	0	0	392
Total	241	304	12	0	247	3	191	0	12	341	195	0	15	5	12	0	1578
*** BREAK ***																	
14:00	73	112	5	0	50	0	52	0	3	121	55	0	4	2	1	0	478
14:15	95	100	2	2	69	2	47	2	3	100	110	0	0	2	1	1	536
14:30	69	102	6	9	67	4	81	1	6	117	61	8	4	3	2	28	568
14:45	78	100	8	1	59	0	91	0	3	145	127	0	7	2	4	3	628
Total	315	414	21	12	245	6	271	3	15	483	353	8	15	9	8	32	2210
15:00	74	109	4	1	66	0	52	1	1	121	126	2	8	1	3	2	571
15:15	87	85	4	0	79	1	55	2	4	131	89	0	2	0	0	0	539
15:30	93	98	4	0	82	1	56	1	1	118	104	0	7	2	2	0	569
15:45	92	97	4	0	57	0	64	0	2	149	164	0	3	1	2	0	635
Total	346	389	16	1	284	2	227	4	8	519	483	2	20	4	7	2	2314
16:00	92	103	2	0	69	0	45	0	4	153	161	0	4	0	1	0	634
16:15	99	123	2	0	75	1	58	0	4	140	157	0	3	0	1	0	663
16:30	126	124	2	0	73	2	67	1	4	169	185	1	2	0	2	0	758
16:45	116	124	1	0	85	0	72	0	7	183	176	0	7	2	4	1	778
Total	433	474	7	0	302	3	242	1	19	645	679	1	16	2	8	1	2833
17:00	154	163	4	0	85	0	68	0	2	147	169	0	4	3	3	0	802
17:15	104	121	2	0	89	0	47	1	3	165	198	0	4	3	1	0	738



MINNESOTA DEPT OF TRANSPORTATION

TRAFFIC DATA COLLECTION - METRO

TH-61 AT TH-97 NORTH JCT
 Ref.Pt;
 Jamar # T-2638 CAH
 TURN MOVEMENT COUNT

File Name : TH-61 AT TH-97 NORTH JCT
 Site Code : 00000000
 Start Date : 9/11/2012
 Page No : 2

Groups Printed- Unshifted

Start Time	TH-61 Southbound				TH-97 NORTH JCT Westbound				TH-61 Northbound				TH-97 NORTH JCT Eastbound				Int. Total
	Left	Thru	Right	Peds	Left	Thru	Right	Peds	Left	Thru	Right	Peds	Left	Thru	Right	Peds	
17:30	103	109	3	0	89	1	53	0	5	140	171	0	1	3	4	0	682
17:45	110	103	1	0	77	0	68	0	5	162	164	0	0	1	4	0	695
Total	471	496	10	0	340	1	236	1	15	614	702	0	9	10	12	0	2917
Grand Total	2638	3297	118	19	3356	31	1944	12	103	3683	3216	17	118	43	72	61	18728
Apprch %	43.4	54.3	1.9	0.3	62.8	0.6	36.4	0.2	1.5	52.5	45.8	0.2	40.1	14.6	24.5	20.7	
Total %	14.1	17.6	0.6	0.1	17.9	0.2	10.4	0.1	0.5	19.7	17.2	0.1	0.6	0.2	0.4	0.3	



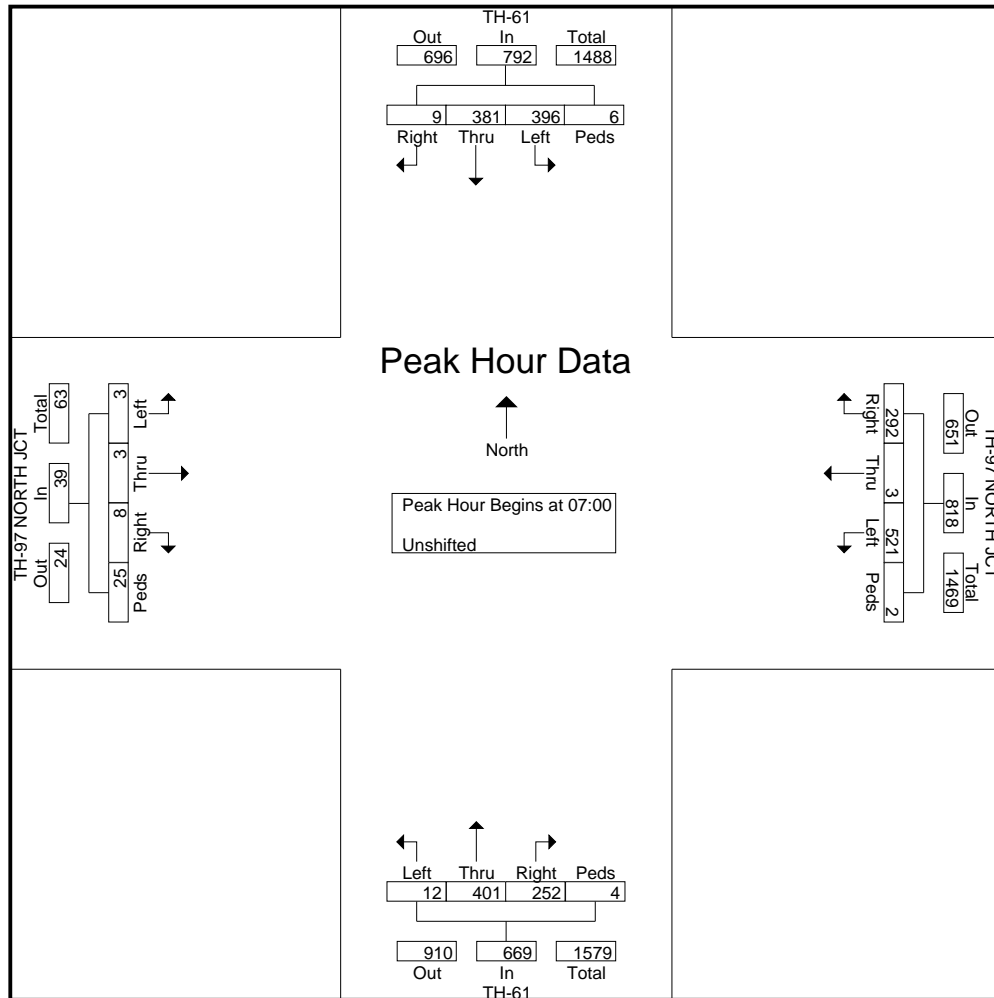
MINNESOTA DEPT OF TRANSPORTATION

TRAFFIC DATA COLLECTION - METRO

TH-61 AT TH-97 NORTH JCT
 Ref.Pt;
 Jamar # T-2638 CAH
 TURN MOVEMENT COUNT

File Name : TH-61 AT TH-97 NORTH JCT
 Site Code : 00000000
 Start Date : 9/11/2012
 Page No : 3

Start Time	TH-61 Southbound					TH-97 NORTH JCT Westbound					TH-61 Northbound					TH-97 NORTH JCT Eastbound					Int. Total
	Left	Thru	Right	Peds	App. Total	Left	Thru	Right	Peds	App. Total	Left	Thru	Right	Peds	App. Total	Left	Thru	Right	Peds	App. Total	
Peak Hour Analysis From 06:00 to 08:45 - Peak 1 of 1																					
Peak Hour for Entire Intersection Begins at 07:00																					
07:00	81	63	0	0	144	138	1	54	2	195	3	58	41	0	102	2	0	0	1	3	444
07:15	121	101	2	0	224	133	0	74	0	207	1	85	57	3	146	0	2	1	3	6	583
07:30	103	96	1	6	206	119	2	64	0	185	3	167	115	0	285	1	0	2	10	13	689
07:45	91	121	6	0	218	131	0	100	0	231	5	91	39	1	136	0	1	5	11	17	602
Total Volume	396	381	9	6	792	521	3	292	2	818	12	401	252	4	669	3	3	8	25	39	2318
% App. Total	50	48.1	1.1	0.8		63.7	0.4	35.7	0.2		1.8	59.9	37.7	0.6		7.7	7.7	20.5	64.1		
PHF	.818	.787	.375	.250	.884	.944	.375	.730	.250	.885	.600	.600	.548	.333	.587	.375	.375	.400	.568	.574	.841





MINNESOTA DEPT OF TRANSPORTATION

TRAFFIC DATA COLLECTION - METRO

TH-61 AT TH-97 NORTH JCT
 Ref.Pt;
 Jamar # T-2638 CAH
 TURN MOVEMENT COUNT

File Name : TH-61 AT TH-97 NORTH JCT
 Site Code : 00000000
 Start Date : 9/11/2012
 Page No : 4

Start Time	TH-61 Southbound					TH-97 NORTH JCT Westbound					TH-61 Northbound					TH-97 NORTH JCT Eastbound					Int. Total
	Left	Thru	Right	Peds	App. Total	Left	Thru	Right	Peds	App. Total	Left	Thru	Right	Peds	App. Total	Left	Thru	Right	Peds	App. Total	
Peak Hour Analysis From 15:00 to 17:45 - Peak 1 of 1																					
Peak Hour for Entire Intersection Begins at 16:30																					
16:30	126	124	2	0	252	73	2	67	1	143	4	169	185	1	359	2	0	2	0	4	758
16:45	116	124	1	0	241	85	0	72	0	157	7	183	176	0	366	7	2	4	1	14	778
17:00	154	163	4	0	321	85	0	68	0	153	2	147	169	0	318	4	3	3	0	10	802
17:15	104	121	2	0	227	89	0	47	1	137	3	165	198	0	366	4	3	1	0	8	738
Total Volume	500	532	9	0	1041	332	2	254	2	590	16	664	728	1	1409	17	8	10	1	36	3076
% App. Total	48	51.1	0.9	0		56.3	0.3	43.1	0.3		1.1	47.1	51.7	0.1		47.2	22.2	27.8	2.8		
PHF	.812	.816	.563	.000	.811	.933	.250	.882	.500	.939	.571	.907	.919	.250	.962	.607	.667	.625	.250	.643	.959

