



MINNESOTA DEPT OF TRANSPORTATION

TRAFFIC DATA COLLECTION - METRO

TH-65 / Central Ave at 41st Ave NE
 Ref.Pt.: 004.635
 JAMAR # 632 DR
 TURN MOVEMENT COUNT

File Name : TH-65 at 41st Ave NE 2009
 Site Code : 00000000
 Start Date : 4/8/2009
 Page No : 1

Groups Printed- Cars & Trucks

Start Time	TH-65 / Central Ave. Southbound				41st AVE NE Westbound				TH-65 / Central Ave. Northbound				41st AVE NE Eastbound				Int. Total
	Left	Thru	Right	Peds	Left	Thru	Right	Peds	Left	Thru	Right	Peds	Left	Thru	Right	Peds	
06:00	2	78	8	0	1	0	4	0	2	34	2	0	1	0	1	0	133
06:15	1	112	6	0	2	0	2	0	0	50	0	0	1	0	0	0	174
06:30	3	159	10	0	3	1	3	0	1	62	0	0	1	0	2	0	245
06:45	5	130	16	0	6	0	5	0	1	65	1	0	4	0	2	0	235
Total	11	479	40	0	12	1	14	0	4	211	3	0	7	0	5	0	787
07:00	6	152	15	0	5	2	3	0	1	74	1	0	8	0	3	0	270
07:15	5	195	19	0	4	2	7	0	4	80	3	0	2	0	2	0	323
07:30	7	182	23	0	4	1	6	0	3	81	4	0	9	0	2	0	322
07:45	5	215	29	0	2	2	2	0	4	120	1	0	8	0	1	0	389
Total	23	744	86	0	15	7	18	0	12	355	9	0	27	0	8	0	1304
08:00	7	181	9	0	3	0	3	0	3	106	2	0	11	2	3	0	330
08:15	5	143	13	0	6	0	8	0	2	89	2	0	3	0	0	0	271
08:30	5	122	4	0	5	3	7	0	1	103	2	0	6	0	3	0	261
08:45	9	129	7	0	3	0	6	0	0	114	1	0	6	0	2	0	277
Total	26	575	33	0	17	3	24	0	6	412	7	0	26	2	8	0	1139
11:00	11	139	10	0	4	1	10	0	2	150	6	0	5	1	2	0	341
11:15	14	159	9	0	4	0	9	0	2	137	2	0	11	0	1	0	348
11:30	5	158	6	0	3	2	17	0	3	140	2	0	8	0	1	0	345
11:45	16	151	4	0	4	1	14	0	3	162	5	0	6	1	2	0	369
Total	46	607	29	0	15	4	50	0	10	589	15	0	30	2	6	0	1403
12:00	13	178	16	0	3	0	10	0	7	175	4	0	8	2	4	0	420
12:15	17	172	16	0	3	0	9	0	1	177	7	0	8	1	2	0	413
12:30	20	184	10	0	7	1	17	0	8	198	1	0	15	1	2	0	464
12:45	17	171	9	0	7	0	19	0	9	179	5	0	3	0	5	0	424
Total	67	705	51	0	20	1	55	0	25	729	17	0	34	4	13	0	1721
15:00	20	164	14	0	0	0	10	0	3	217	5	0	14	1	4	0	452
15:15	14	170	5	0	4	0	11	0	5	258	4	0	14	0	0	0	485
15:30	16	164	6	0	5	2	14	0	0	254	3	0	8	2	3	0	477
15:45	8	186	8	0	5	0	10	0	3	275	4	0	6	0	5	0	510
Total	58	684	33	0	14	2	45	0	11	1004	16	0	42	3	12	0	1924
16:00	13	153	14	0	3	2	12	0	5	233	7	0	10	0	2	0	454
16:15	9	182	9	0	4	3	17	0	7	259	4	0	9	1	4	0	508
16:30	11	159	7	0	3	0	15	0	3	275	1	0	15	0	5	0	494
16:45	21	165	10	0	6	1	13	0	7	273	7	0	9	0	8	0	520
Total	54	659	40	0	16	6	57	0	22	1040	19	0	43	1	19	0	1976
17:00	8	175	9	0	2	1	12	0	6	278	3	0	9	0	3	0	506
17:15	11	144	10	0	4	0	22	0	3	245	1	0	15	0	3	0	458
17:30	10	181	5	0	6	0	9	0	3	234	6	0	5	0	3	0	462
17:45	8	174	7	0	3	1	6	0	3	229	6	0	4	1	2	0	444
Total	37	674	31	0	15	2	49	0	15	986	16	0	33	1	11	0	1870
Grand Total	322	5127	343	0	124	26	312	0	105	5326	102	0	242	13	82	0	12124
Apprch %	5.6	88.5	5.9	0	26.8	5.6	67.5	0	1.9	96.3	1.8	0	71.8	3.9	24.3	0	
Total %	2.7	42.3	2.8	0	1	0.2	2.6	0	0.9	43.9	0.8	0	2	0.1	0.7	0	



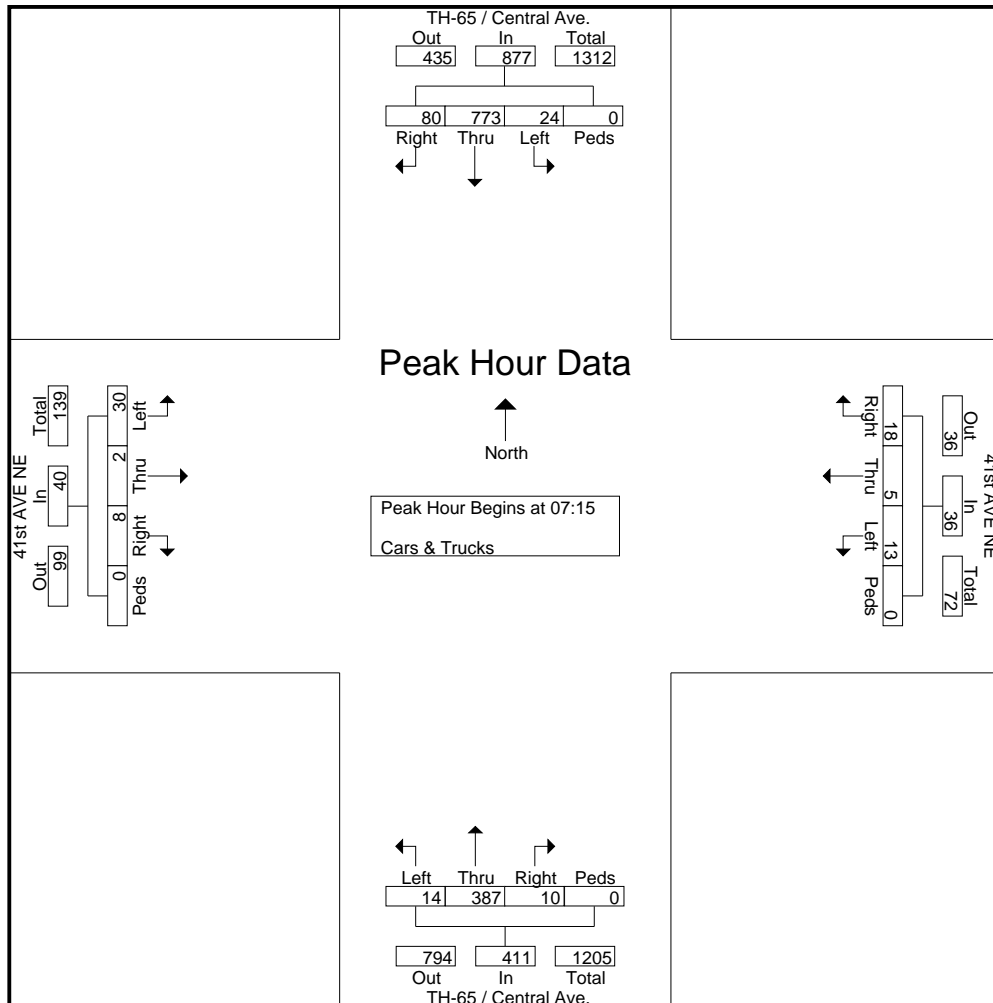
MINNESOTA DEPT OF TRANSPORTATION

TRAFFIC DATA COLLECTION - METRO

TH-65 / Central Ave at 41st Ave NE
 Ref.Pt.: 004.635
 JAMAR # 632 DR
 TURN MOVEMENT COUNT

File Name : TH-65 at 41st Ave NE 2009
 Site Code : 00000000
 Start Date : 4/8/2009
 Page No : 2

Start Time	TH-65 / Central Ave. Southbound					41st AVE NE Westbound					TH-65 / Central Ave. Northbound					41st AVE NE Eastbound					Int. Total
	Left	Thru	Right	Peds	App. Total	Left	Thru	Right	Peds	App. Total	Left	Thru	Right	Peds	App. Total	Left	Thru	Right	Peds	App. Total	
Peak Hour Analysis From 06:00 to 08:45 - Peak 1 of 1																					
Peak Hour for Entire Intersection Begins at 07:15																					
07:15	5	195	19	0	219	4	2	7	0	13	4	80	3	0	87	2	0	2	0	4	323
07:30	7	182	23	0	212	4	1	6	0	11	3	81	4	0	88	9	0	2	0	11	322
07:45	5	215	29	0	249	2	2	2	0	6	4	120	1	0	125	8	0	1	0	9	389
08:00	7	181	9	0	197	3	0	3	0	6	3	106	2	0	111	11	2	3	0	16	330
Total Volume	24	773	80	0	877	13	5	18	0	36	14	387	10	0	411	30	2	8	0	40	1364
% App. Total	2.7	88.1	9.1	0		36.1	13.9	50	0		3.4	94.2	2.4	0		75	5	20	0		
PHF	.857	.899	.690	.000	.881	.813	.625	.643	.000	.692	.875	.806	.625	.000	.822	.682	.250	.667	.000	.625	.877





MINNESOTA DEPT OF TRANSPORTATION

TRAFFIC DATA COLLECTION - METRO

TH-65 / Central Ave at 41st Ave NE
 Ref.Pt.: 004.635
 JAMAR # 632 DR
 TURN MOVEMENT COUNT

File Name : TH-65 at 41st Ave NE 2009
 Site Code : 00000000
 Start Date : 4/8/2009
 Page No : 3

Start Time	TH-65 / Central Ave. Southbound					41st AVE NE Westbound					TH-65 / Central Ave. Northbound					41st AVE NE Eastbound					Int. Total
	Left	Thru	Right	Peds	App. Total	Left	Thru	Right	Peds	App. Total	Left	Thru	Right	Peds	App. Total	Left	Thru	Right	Peds	App. Total	
Peak Hour Analysis From 15:00 to 17:45 - Peak 1 of 1																					
Peak Hour for Entire Intersection Begins at 16:15																					
16:15	9	182	9	0	200	4	3	17	0	24	7	259	4	0	270	9	1	4	0	14	508
16:30	11	159	7	0	177	3	0	15	0	18	3	275	1	0	279	15	0	5	0	20	494
16:45	21	165	10	0	196	6	1	13	0	20	7	273	7	0	287	9	0	8	0	17	520
17:00	8	175	9	0	192	2	1	12	0	15	6	278	3	0	287	9	0	3	0	12	506
Total Volume	49	681	35	0	765	15	5	57	0	77	23	1085	15	0	1123	42	1	20	0	63	2028
% App. Total	6.4	89	4.6	0		19.5	6.5	74	0		2	96.6	1.3	0		66.7	1.6	31.7	0		
PHF	.583	.935	.875	.000	.956	.625	.417	.838	.000	.802	.821	.976	.536	.000	.978	.700	.250	.625	.000	.788	.975

