

Location: TH 65 at Andover Blvd/149th Ave
 Count Date: 4/4/2017
 Counted By: JDA



TURNING MOVEMENT COUNT DATA
 All Vehicles

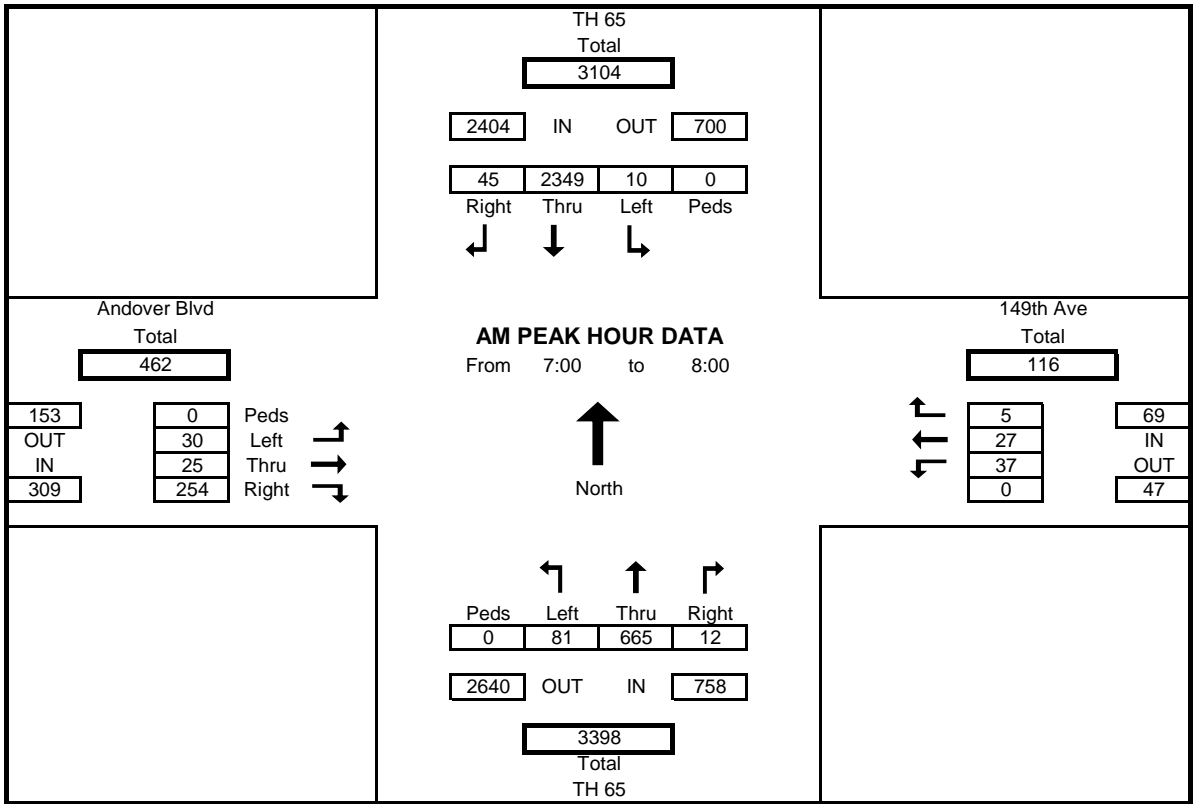
Start Time	TH 65				149th Ave				TH 65				Andover Blvd				Int. Total
	Southbound				Westbound				Northbound				Eastbound				
	Left	Thru	Right	Peds	Left	Thru	Right	Peds	Left	Thru	Right	Peds	Left	Thru	Right	Peds	
6:00	1	520	6	0	4	3	2	0	5	69	1	0	0	3	29	0	643
6:15	1	591	8	0	10	1	0	0	7	82	5	0	4	2	40	0	751
6:30	0	618	9	0	1	6	1	0	6	107	7	0	6	4	32	0	797
6:45	0	560	10	0	1	5	2	0	14	116	2	0	9	7	55	0	781
7:00	0	571	10	0	12	5	1	0	15	132	0	0	13	5	56	0	820
7:15	1	674	12	0	17	13	1	0	28	150	4	0	1	5	71	0	977
7:30	3	619	8	0	5	7	1	0	14	191	3	0	6	7	58	0	922
7:45	6	485	15	0	3	2	2	0	24	192	5	0	10	8	69	0	821
8:00	3	417	11	0	11	4	4	0	27	132	6	0	6	5	47	0	673
8:15	0	433	10	0	11	10	1	0	18	189	5	0	5	7	29	0	718
8:30	5	340	8	0	3	2	3	0	17	140	8	0	9	8	36	0	579
8:45	2	338	7	0	8	7	1	0	20	174	6	0	8	2	32	0	605
9:00	1	266	12	0	2	2	2	0	10	198	3	0	10	6	27	0	539
9:15	0	376	8	0	6	7	3	0	24	174	4	0	4	1	24	0	631
9:30	1	301	8	0	4	1	2	0	17	186	8	0	3	4	36	0	571
9:45	4	326	6	0	11	3	1	0	12	159	11	1	6	7	25	0	571
10:00	4	241	5	0	5	3	6	0	26	178	7	0	3	2	30	0	510
10:15	7	244	8	0	4	3	4	0	21	175	6	0	8	2	27	0	509
10:30	3	223	8	0	3	1	4	0	21	207	8	0	4	1	17	0	500
10:45	3	228	8	0	10	5	6	0	16	164	7	0	6	4	22	0	479
11:00	8	233	5	0	13	3	2	0	20	213	8	0	14	6	23	0	548
11:15	5	277	19	1	5	6	8	0	23	212	9	1	9	6	20	0	599
11:30	2	257	6	0	10	4	5	0	31	199	8	0	4	4	24	0	554
11:45	1	231	5	0	5	4	5	0	28	189	10	0	10	5	34	0	527
12:00	6	253	9	0	14	9	5	0	26	259	12	0	3	4	25	0	625
12:15	4	249	3	0	12	9	5	0	20	244	11	0	6	5	20	0	588
12:30	8	247	4	0	11	5	6	0	29	270	11	0	8	5	28	0	632
12:45	6	236	6	0	9	2	4	0	18	249	9	0	7	7	29	0	582
13:00	7	232	4	0	14	2	10	0	26	208	14	0	12	3	16	0	548
13:15	3	240	9	0	14	3	12	0	31	246	10	0	10	5	27	0	610
13:30	2	219	1	0	5	6	4	0	27	236	8	0	7	6	23	0	544
13:45	5	237	10	0	3	7	8	0	37	303	12	0	6	9	21	0	658
14:00	2	231	9	0	10	6	9	0	18	268	7	0	10	4	23	0	597
14:15	4	228	6	0	10	4	6	0	29	385	10	0	5	9	24	0	720
14:30	2	248	10	0	5	7	3	0	28	422	11	0	10	4	29	0	779
14:45	3	215	13	0	5	6	6	0	40	425	12	0	8	3	29	0	765
15:00	3	208	4	0	15	6	5	0	33	462	7	0	3	4	24	0	774
15:15	2	220	6	0	8	7	8	0	59	496	12	0	12	4	32	0	866
15:30	1	275	13	0	16	8	5	0	47	516	15	0	10	8	26	0	940
15:45	4	251	5	0	11	9	11	0	43	530	13	0	17	9	41	0	944
16:00	10	268	12	0	14	13	7	0	51	573	13	0	12	6	39	0	1018
16:15	4	264	9	0	22	19	8	0	61	570	22	0	11	8	33	0	1031
16:30	0	300	8	0	7	12	9	0	63	636	26	0	19	10	42	0	1132
16:45	4	322	8	0	6	18	11	0	78	582	8	0	24	10	45	0	1116
17:00	6	283	19	0	6	13	12	0	51	636	13	0	18	6	30	0	1093
17:15	2	298	9	0	6	7	14	0	76	543	19	0	14	11	53	0	1052
17:30	0	239	10	0	5	10	6	0	55	624	9	0	9	9	34	0	1010
17:45	2	201	8	0	7	13	6	0	63	505	4	0	10	9	38	0	866
18:00	0	248	2	0	9	10	2	0	43	498	10	0	9	10	35	0	876
18:15	5	220	7	0	2	10	6	0	49	417	9	0	16	12	35	0	788
18:30	2	199	3	0	6	6	6	0	39	386	10	0	8	5	31	0	701
18:45	7	203	9	0	8	11	6	0	27	357	18	0	8	9	46	0	709
Total	165	16203	428	1	424	345	267	0	1611	15774	476	2	450	305	1741	0	38189
Cars+	161	15424	403	1	409	336	259	0	1531	15200	459	2	420	298	1653	0	36553
Trucks	4	779	25	0	15	9	8	0	80	574	17	0	30	7	88	0	1636
% Trucks	2.5	5.1	6.2	0.0	3.7	2.7	3.1	0.0	5.2	3.8	3.7	0.0	7.1	2.3	5.3	0.0	4.5
		5.1				3.2				3.9				5.3			

Location: TH 65 at Andover Blvd/149th Ave
 Count Date: 4/4/2017
 Counted By: JDA



AM PEAK HOUR TURNING MOVEMENT DATA
 All Vehicles

Start Time	TH 65				149th Ave				TH 65				Andover Blvd				Int. Total
	Southbound				Westbound				Northbound				Eastbound				
	Left	Thru	Right	Peds	Left	Thru	Right	Peds	Left	Thru	Right	Peds	Left	Thru	Right	Peds	
7:00	0	571	10	0	12	5	1	0	15	132	0	0	13	5	56	0	820
7:15	1	674	12	0	17	13	1	0	28	150	4	0	1	5	71	0	977
7:30	3	619	8	0	5	7	1	0	14	191	3	0	6	7	58	0	922
7:45	6	485	15	0	3	2	2	0	24	192	5	0	10	8	69	0	821
Total	10	2349	45	0	37	27	5	0	81	665	12	0	30	25	254	0	3540
% App. Total	0.4	97.7	1.9	0.0	1.5	1.1	0.2	0.0	3.4	27.7	0.5	0.0	1.2	1.0	10.6	0.0	
PHF	0.417	0.871	0.750	0.000	0.544	0.519	0.625	0.000	0.723	0.866	0.600	0.000	0.577	0.781	0.894	0.000	0.906
% Trucks	0.0	2.8	0.0	0.0	5.7	8.0	0.0	0.0	8.0	5.7	0.0	0.0	7.1	8.7	4.1	0.0	3.6
		2.7			6.2				5.9				4.7				

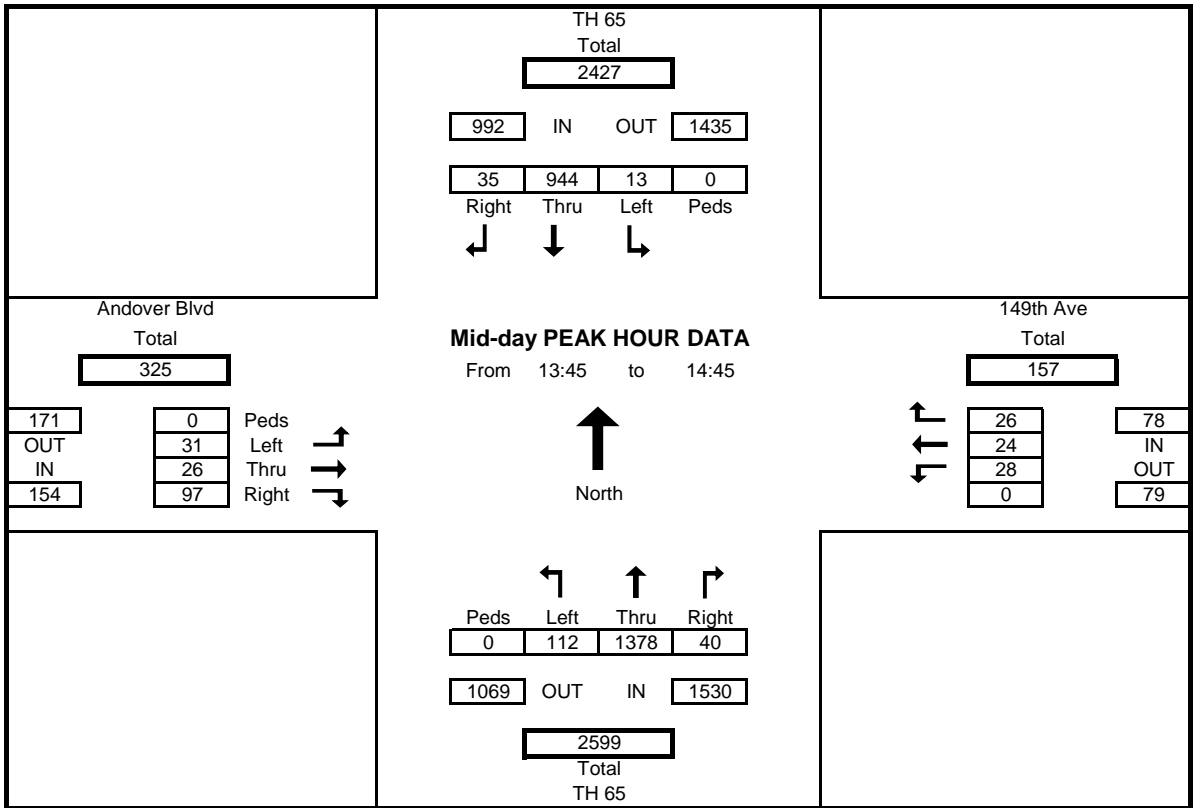


Location: TH 65 at Andover Blvd/149th Ave
 Count Date: 4/4/2017
 Counted By: JDA



Mid-Day PEAK HOUR TURNING MOVEMENT DATA
 All Vehicles

Start Time	TH 65 Southbound				149th Ave Westbound				TH 65 Northbound				Andover Blvd Eastbound				Int. Total
	Left	Thru	Right	Peds	Left	Thru	Right	Peds	Left	Thru	Right	Peds	Left	Thru	Right	Peds	
	13:45	5	237	10	0	3	7	8	0	37	303	12	0	6	9	21	
14:00	2	231	9	0	10	6	9	0	18	268	7	0	10	4	23	0	597
14:15	4	228	6	0	10	4	6	0	29	385	10	0	5	9	24	0	720
14:30	2	248	10	0	5	7	3	0	28	422	11	0	10	4	29	0	779
Total	13	944	35	0	28	24	26	0	112	1378	40	0	31	26	97	0	2754
% App. Total	1.3	95.2	3.5	0.0	2.8	2.4	2.6	0.0	11.3	138.9	4.0	0.0	3.1	2.6	9.8	0.0	
PHF	0.650	0.952	0.875	0.000	0.700	0.857	0.722	0.000	0.757	0.816	0.833	0.000	0.775	0.722	0.836	0.000	0.884
% Trucks	8.3	7.2	2.9	0.0	7.7	4.3	0.0	0.0	13.1	4.4	8.1	0.0	10.7	4.0	7.8	0.0	
		7.0				4.0				5.1				7.7			5.9

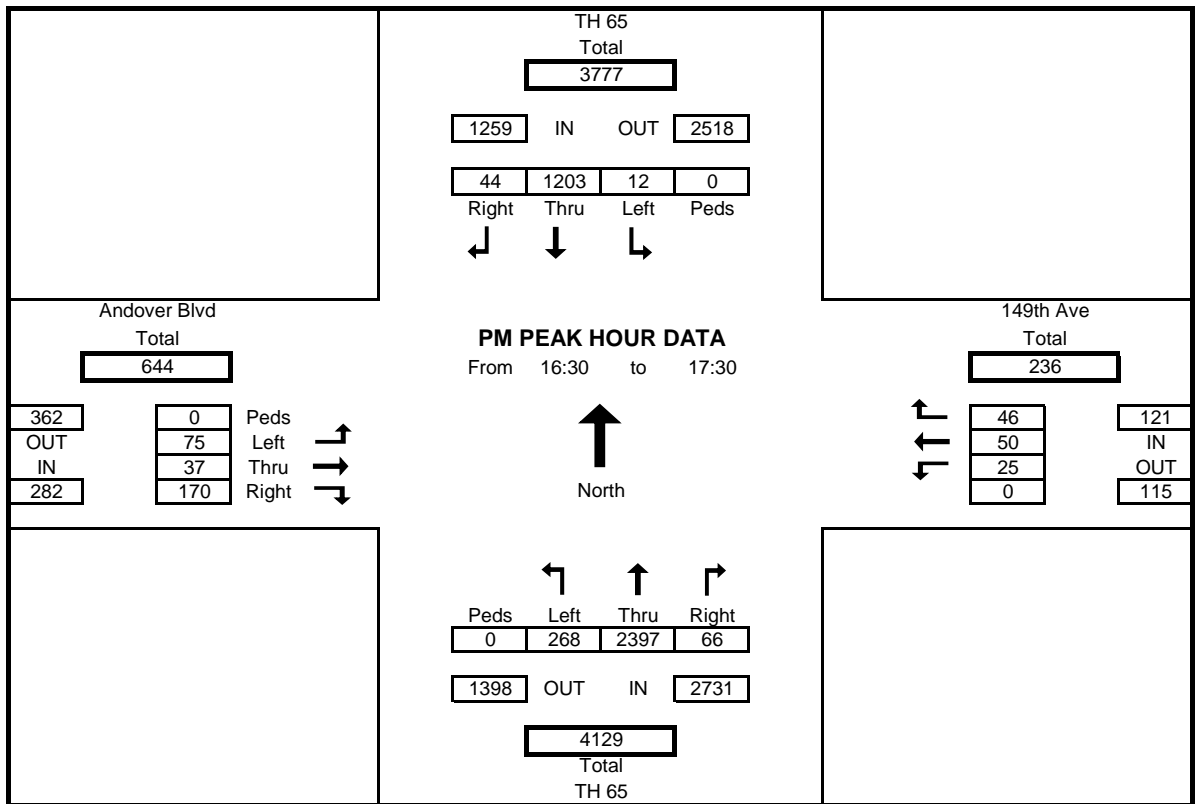


Location: TH 65 at Andover Blvd/149th Ave
 Count Date: 4/4/2017
 Counted By: JDA



AM PEAK HOUR TURNING MOVEMENT DATA
 All Vehicles

Start Time	TH 65				149th Ave				TH 65				Andover Blvd				Int. Total
	Southbound				Westbound				Northbound				Eastbound				
	Left	Thru	Right	Peds	Left	Thru	Right	Peds	Left	Thru	Right	Peds	Left	Thru	Right	Peds	
16:30	0	300	8	0	7	12	9	0	63	636	26	0	19	10	42	0	1132
16:45	4	322	8	0	6	18	11	0	78	582	8	0	24	10	45	0	1116
17:00	6	283	19	0	6	13	12	0	51	636	13	0	18	6	30	0	1093
17:15	2	298	9	0	6	7	14	0	76	543	19	0	14	11	53	0	1052
Total	12	1203	44	0	25	50	46	0	268	2397	66	0	75	37	170	0	4393
% App. Total	1.0	95.6	3.5	0.0	2.0	4.0	3.7	0.0	21.3	190.4	5.2	0.0	6.0	2.9	13.5	0.0	
PHF	0.500	0.934	0.579	0.000	0.893	0.694	0.821	0.000	0.859	0.942	0.635	0.000	0.781	0.841	0.802	0.000	0.970
% Trucks	0.0	4.4	15.8	0.0	0.0	4.2	0.0	0.0	1.5	1.6	3.1	0.0	0.0	2.8	3.0	0.0	2.5
	4.7				1.7				1.6				2.2				



Location: TH 65 at Andover Blvd/149th Ave
 Count Date: 4/4/2017
 Counted By: JDA



TURNING MOVEMENT COUNT DATA

Cars+

Start Time	TH 65				149th Ave				TH 65				Andover Blvd				Int. Total
	Southbound				Westbound				Northbound				Eastbound				
	Left	Thru	Right	Peds	Left	Thru	Right	Peds	Left	Thru	Right	Peds	Left	Thru	Right	Peds	
6:00	0	504	6	0	4	3	2	0	5	62	1	0	0	3	27	0	617
6:15	1	572	8	0	10	1	0	0	7	80	5	0	2	2	39	0	727
6:30	0	604	9	0	1	6	1	0	6	103	7	0	6	4	28	0	775
6:45	0	547	10	0	1	5	2	0	13	113	2	0	9	6	54	0	762
7:00	0	562	10	0	12	5	1	0	14	125	0	0	12	5	52	0	798
7:15	1	661	12	0	15	12	1	0	27	141	4	0	1	5	67	0	947
7:30	3	598	8	0	5	6	1	0	12	180	3	0	6	7	56	0	885
7:45	6	465	15	0	3	2	2	0	22	183	5	0	9	6	69	0	787
8:00	3	395	11	0	10	4	4	0	23	118	6	0	5	5	45	0	629
8:15	0	409	9	0	11	10	1	0	18	173	5	0	5	7	26	0	674
8:30	5	321	5	0	3	1	3	0	15	127	7	0	6	8	32	0	533
8:45	2	319	7	0	7	7	1	0	18	158	6	0	7	2	30	0	564
9:00	1	252	11	0	2	2	2	0	10	181	3	0	10	6	26	0	506
9:15	0	356	5	0	6	7	2	0	21	159	4	0	4	1	22	0	587
9:30	1	284	7	0	3	1	2	0	15	172	7	0	2	4	35	0	533
9:45	3	306	6	0	10	3	1	0	12	142	10	1	4	7	24	0	528
10:00	4	225	5	0	4	3	6	0	24	161	7	0	2	2	23	0	466
10:15	7	226	8	0	4	3	4	0	19	162	6	0	7	2	25	0	473
10:30	3	205	7	0	3	1	4	0	18	197	7	0	3	1	17	0	466
10:45	3	212	6	0	9	5	5	0	15	152	7	0	5	4	22	0	445
11:00	8	214	5	0	13	3	2	0	19	200	7	0	11	6	20	0	508
11:15	5	259	15	1	5	6	7	0	21	201	9	1	8	6	17	0	559
11:30	2	231	5	0	9	4	5	0	30	188	8	0	4	3	22	0	511
11:45	1	212	5	0	5	4	5	0	27	178	10	0	9	5	32	0	493
12:00	6	230	9	0	14	9	5	0	24	243	12	0	3	4	23	0	582
12:15	4	231	2	0	12	9	5	0	19	233	10	0	6	5	19	0	555
12:30	8	230	4	0	10	5	5	0	26	257	11	0	8	5	26	0	595
12:45	6	221	6	0	9	2	4	0	15	236	9	0	7	7	29	0	551
13:00	7	219	4	0	14	2	10	0	23	195	12	0	11	3	16	0	516
13:15	3	222	9	0	14	3	11	0	30	234	10	0	10	5	24	0	575
13:30	2	202	1	0	5	6	4	0	27	227	8	0	6	6	23	0	517
13:45	4	224	10	0	3	7	8	0	31	292	10	0	5	9	21	0	624
14:00	2	209	8	0	8	5	9	0	18	262	7	0	8	4	18	0	558
14:15	4	219	6	0	10	4	6	0	26	364	10	0	5	9	23	0	686
14:30	2	229	10	0	5	7	3	0	24	402	10	0	10	3	28	0	733
14:45	3	207	13	0	5	6	6	0	38	421	11	0	8	3	27	0	748
15:00	3	194	4	0	15	6	5	0	31	449	7	0	2	4	23	0	743
15:15	2	204	6	0	8	7	8	0	53	473	10	0	11	3	30	0	815
15:30	1	259	13	0	15	8	4	0	44	501	15	0	9	8	25	0	902
15:45	4	243	5	0	10	9	11	0	43	520	12	0	17	9	41	0	924
16:00	10	253	12	0	14	13	7	0	51	555	13	0	12	6	39	0	985
16:15	4	247	9	0	21	19	7	0	59	563	22	0	10	8	31	0	1000
16:30	0	284	8	0	7	12	9	0	62	625	26	0	19	10	42	0	1104
16:45	4	308	6	0	6	16	11	0	77	572	8	0	24	9	44	0	1085
17:00	6	270	18	0	6	13	12	0	51	625	12	0	18	6	30	0	1067
17:15	2	290	6	0	6	7	14	0	74	537	18	0	14	11	49	0	1028
17:30	0	233	10	0	5	9	6	0	55	617	9	0	9	9	30	0	992
17:45	2	196	8	0	7	13	6	0	62	499	4	0	10	9	37	0	853
18:00	0	246	2	0	9	9	2	0	42	492	10	0	9	10	34	0	865
18:15	5	215	7	0	2	10	6	0	49	416	9	0	16	12	34	0	781
18:30	2	197	3	0	6	6	5	0	39	381	10	0	8	5	31	0	693
18:45	6	203	9	0	8	10	6	0	27	353	18	0	8	9	46	0	703
Total	161	15424	403	1	409	336	259	0	1531	15200	459	2	420	298	1653	0	36553
Cars+	161	15424	403	1	409	336	259	0	1531	15200	459	2	420	298	1653	0	36553
Trucks	4	779	25	0	15	9	8	0	80	574	17	0	30	7	88	0	1636
% Trucks	2.5	5.1	6.2	0.0	3.7	2.7	3.1	0.0	5.2	3.8	3.7	0.0	7.1	2.3	5.3	0.0	4.5
		5.1				3.2				3.9				5.3			

Location: TH 65 at Andover Blvd/149th Ave
 Count Date: 4/4/2017
 Counted By: JDA



TURNING MOVEMENT COUNT DATA
Heavy Vehicles

Start Time	TH 65				149th Ave				TH 65				Andover Blvd				Int. Total		
	Southbound				Westbound				Northbound				Eastbound						
	Left	Thru	Right	Bikes	Left	Thru	Right	Bikes	Left	Thru	Right	Bikes	Left	Thru	Right	Bikes			
6:00	1	16	0	0	0	0	0	0	0	7	0	0	0	0	0	2	0	26	
6:15	0	19	0	0	0	0	0	0	0	2	0	0	0	2	0	1	0	24	
6:30	0	14	0	0	0	0	0	0	0	4	0	0	0	0	0	4	0	22	
6:45	0	13	0	0	0	0	0	0	0	1	3	0	0	0	1	1	0	19	
7:00	0	9	0	0	0	0	0	0	0	1	7	0	0	1	0	4	0	22	
7:15	0	13	0	0	2	1	0	0	0	1	9	0	0	0	0	4	0	30	
7:30	0	21	0	0	0	1	0	0	0	2	11	0	0	0	0	2	0	37	
7:45	0	20	0	0	0	0	0	0	0	2	9	0	0	0	1	2	0	34	
8:00	0	22	0	0	1	0	0	0	0	4	14	0	0	0	1	0	2	44	
8:15	0	24	1	0	0	0	0	0	0	0	16	0	0	0	0	3	0	44	
8:30	0	19	3	0	0	1	0	0	0	2	13	1	0	0	3	0	4	46	
8:45	0	19	0	0	1	0	0	0	0	2	16	0	0	0	1	0	2	41	
9:00	0	14	1	0	0	0	0	0	0	0	17	0	0	0	0	0	1	33	
9:15	0	20	3	0	0	0	1	0	0	3	15	0	0	0	0	0	2	44	
9:30	0	17	1	0	1	0	0	0	0	2	14	1	0	0	1	0	1	38	
9:45	1	20	0	0	1	0	0	0	0	0	17	1	0	0	2	0	1	43	
10:00	0	16	0	0	1	0	0	0	0	2	17	0	0	0	1	0	7	44	
10:15	0	18	0	0	0	0	0	0	0	2	13	0	0	0	1	0	2	36	
10:30	0	18	1	0	0	0	0	0	0	3	10	1	0	0	1	0	0	34	
10:45	0	16	2	0	1	0	1	0	0	1	12	0	0	0	1	0	0	34	
11:00	0	19	0	0	0	0	0	0	0	1	13	1	0	0	3	0	3	40	
11:15	0	18	4	0	0	0	1	0	0	2	11	0	0	0	1	0	3	40	
11:30	0	26	1	0	1	0	0	0	0	1	11	0	0	0	0	1	2	43	
11:45	0	19	0	0	0	0	0	0	0	1	11	0	0	0	1	0	2	34	
12:00	0	23	0	0	0	0	0	0	0	2	16	0	0	0	0	0	2	43	
12:15	0	18	1	0	0	0	0	0	0	1	11	1	0	0	0	0	1	33	
12:30	0	17	0	0	1	0	1	0	0	3	13	0	0	0	0	0	2	37	
12:45	0	15	0	0	0	0	0	0	0	3	13	0	0	0	0	0	0	31	
13:00	0	13	0	0	0	0	0	0	0	3	13	2	0	0	1	0	0	32	
13:15	0	18	0	0	0	0	1	0	0	1	12	0	0	0	0	0	3	35	
13:30	0	17	0	0	0	0	0	0	0	0	9	0	0	0	1	0	0	27	
13:45	1	13	0	0	0	0	0	0	0	6	11	2	0	0	1	0	0	34	
14:00	0	22	1	0	2	1	0	0	0	0	6	0	0	0	2	0	5	39	
14:15	0	9	0	0	0	0	0	0	0	3	21	0	0	0	0	0	1	34	
14:30	0	19	0	0	0	0	0	0	0	4	20	1	0	0	0	1	1	46	
14:45	0	8	0	0	0	0	0	0	0	2	4	1	0	0	0	0	2	17	
15:00	0	14	0	0	0	0	0	0	0	2	13	0	0	0	1	0	1	31	
15:15	0	16	0	0	0	0	0	0	0	6	23	2	0	0	1	1	2	51	
15:30	0	16	0	0	1	0	1	0	0	3	15	0	0	0	1	0	1	38	
15:45	0	8	0	0	1	0	0	0	0	0	10	1	0	0	0	0	0	20	
16:00	0	15	0	0	0	0	0	0	0	0	18	0	0	0	0	0	0	33	
16:15	0	17	0	0	1	0	1	0	0	2	7	0	0	0	1	0	2	31	
16:30	0	16	0	0	0	0	0	0	0	1	11	0	0	0	0	0	0	28	
16:45	0	14	2	0	0	2	0	0	0	1	10	0	0	0	0	1	1	31	
17:00	0	13	1	0	0	0	0	0	0	0	11	1	0	0	0	0	0	26	
17:15	0	8	3	0	0	0	0	0	0	2	6	1	0	0	0	0	4	24	
17:30	0	6	0	0	0	1	0	0	0	0	7	0	0	0	0	0	4	18	
17:45	0	5	0	0	0	0	0	0	0	1	6	0	0	0	0	0	1	13	
18:00	0	2	0	0	0	1	0	0	0	1	6	0	0	0	0	0	1	11	
18:15	0	5	0	0	0	0	0	0	0	0	1	0	0	0	0	0	1	7	
18:30	0	2	0	0	0	0	1	0	0	0	5	0	0	0	0	0	0	8	
18:45	1	0	0	0	0	1	0	0	0	0	4	0	0	0	0	0	0	6	
Total	4	779	25	0	15	9	8	0	0	80	574	17	0	0	30	7	88	0	1636
Cars+	161	15424	403	1	409	336	259	0	0	1531	15200	459	2	0	420	298	1653	0	36553
Trucks	4	779	25	0	15	9	8	0	0	80	574	17	0	0	30	7	88	0	1636
% Trucks	2.5	5.1	6.2	0.0	3.7	2.7	3.1	0.0	0.0	5.2	3.8	3.7	0.0	0.0	7.1	2.3	5.3	0.0	4.5
		5.1				3.2					3.9				5.3				4.5