

Location: TH 65 at Viking Blvd (CSAH 22)
 Count Date: 4/4/2017
 Counted By: JDA



TURNING MOVEMENT COUNT DATA
 All Vehicles

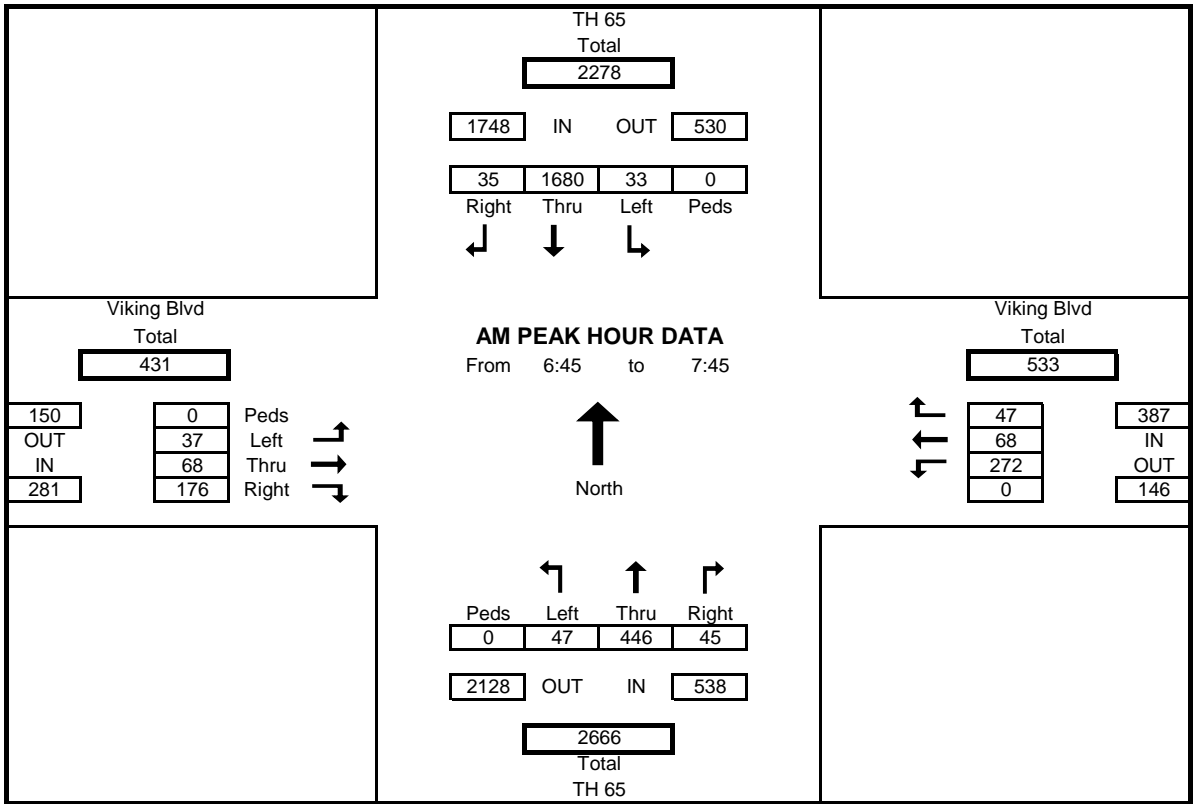
Start Time	TH 65				Viking Blvd				TH 65				Viking Blvd				Int. Total
	Southbound				Westbound				Northbound				Eastbound				
	Left	Thru	Right	Peds	Left	Thru	Right	Peds	Left	Thru	Right	Peds	Left	Thru	Right	Peds	
6:00	1	441	6	0	42	15	4	0	5	36	5	0	3	13	26	0	597
6:15	4	530	10	0	75	15	5	0	6	68	3	0	7	7	38	0	768
6:30	2	475	5	0	72	15	5	0	2	96	4	0	4	11	40	0	731
6:45	7	415	6	0	74	14	3	0	13	84	11	0	8	17	51	0	703
7:00	8	374	14	0	65	13	13	0	15	114	10	0	14	15	48	0	703
7:15	8	463	9	0	58	19	20	0	11	123	9	0	12	21	39	0	792
7:30	10	428	6	0	75	22	11	0	8	125	15	0	3	15	38	0	756
7:45	8	344	8	0	49	15	10	0	13	140	13	0	13	16	42	0	671
8:00	7	294	5	0	39	9	6	0	24	120	15	0	6	15	35	0	575
8:15	7	282	7	0	36	15	7	0	23	94	14	0	6	11	33	0	535
8:30	9	258	16	0	34	7	8	0	18	95	17	0	6	13	42	0	523
8:45	6	208	7	0	31	17	14	0	16	115	11	0	7	5	27	0	464
9:00	14	216	8	0	29	9	7	0	22	89	8	0	11	9	26	0	448
9:15	12	181	13	0	26	12	6	0	15	93	13	0	9	6	34	0	420
9:30	6	184	5	0	23	11	5	0	20	106	16	0	8	14	35	0	433
9:45	13	183	10	0	30	12	9	0	21	104	21	0	4	13	26	0	446
10:00	5	185	8	0	25	10	6	0	19	114	9	0	9	9	23	0	422
10:15	5	139	5	0	12	6	2	0	20	112	16	0	7	6	23	0	353
10:30	6	140	13	0	25	14	9	0	15	111	15	0	11	7	17	0	383
10:45	7	134	3	0	26	9	4	0	14	110	12	0	9	5	28	0	361
11:00	7	161	4	0	17	10	8	0	27	92	19	0	16	6	15	0	382
11:15	7	134	8	0	14	8	1	0	18	121	24	0	7	9	23	0	374
11:30	9	146	4	0	28	9	6	0	17	146	14	0	8	5	11	0	403
11:45	8	108	6	0	17	7	6	0	25	130	19	0	11	8	19	0	364
12:00	3	143	10	0	18	4	13	0	32	133	23	0	6	10	18	0	413
12:15	5	148	7	0	16	5	10	0	21	124	27	0	9	7	16	0	395
12:30	9	145	11	0	24	8	7	0	20	165	18	0	6	8	16	0	437
12:45	8	116	11	0	22	6	9	0	24	125	32	0	14	8	23	0	398
13:00	7	150	9	0	21	5	6	0	20	142	31	0	9	11	21	0	432
13:15	10	157	7	0	21	8	2	0	26	159	19	0	14	7	22	0	452
13:30	5	142	11	0	22	10	4	0	28	188	13	0	11	3	19	0	456
13:45	13	148	6	0	27	17	5	0	34	191	35	0	7	11	25	0	519
14:00	14	133	5	0	26	7	8	0	26	186	25	0	10	9	17	0	466
14:15	11	140	9	0	22	12	7	0	54	200	23	0	14	5	18	0	515
14:30	19	156	8	0	22	11	9	0	47	248	25	0	16	8	20	0	589
14:45	13	145	12	0	22	19	6	0	35	277	37	0	15	21	18	0	620
15:00	6	120	14	0	19	16	5	0	33	289	36	0	9	12	25	0	584
15:15	11	162	10	0	17	13	7	0	37	399	49	0	14	10	29	0	758
15:30	11	169	9	0	22	16	8	0	63	363	55	0	18	12	26	0	772
15:45	16	209	17	0	7	18	10	0	67	396	79	0	16	12	25	0	872
16:00	16	154	8	0	43	14	30	0	41	385	56	0	14	14	37	0	812
16:15	14	206	12	0	17	14	8	0	65	481	75	0	14	16	29	0	951
16:30	18	165	8	0	31	21	21	0	62	416	52	0	17	29	27	0	867
16:45	23	212	17	0	33	13	15	0	77	462	61	0	19	23	19	0	974
17:00	17	166	15	0	39	19	14	0	70	431	32	0	27	22	32	0	884
17:15	23	209	5	0	22	19	6	0	73	467	38	0	30	19	30	0	941
17:30	13	143	9	0	29	28	14	0	72	419	24	0	19	20	32	0	822
17:45	22	161	7	0	21	14	9	0	45	334	43	0	13	16	20	0	705
18:00	17	138	13	0	28	15	10	0	39	268	31	0	9	16	24	0	608
18:15	14	178	10	0	21	16	9	0	47	279	30	0	11	16	24	0	655
18:30	8	100	8	0	13	6	13	0	38	218	29	0	18	15	28	0	494
18:45	10	90	7	0	22	13	3	0	39	189	33	0	4	15	21	0	446
Total	532	10728	461	0	1569	660	443	0	1622	10472	1344	0	582	631	1400	0	30444
Cars+	504	10350	444	0	1525	625	421	0	1560	10105	1310	0	551	597	1331	0	29323
Trucks	28	378	17	0	44	35	22	0	62	367	34	0	31	34	69	0	1121
% Trucks	5.6	3.7	3.8	0.0	2.9	5.6	5.2	0.0	4.0	3.6	2.6	0.0	5.6	5.7	5.2	0.0	3.8
		3.7				3.9				3.6				5.4			

Location: TH 65 at Viking Blvd (CSAH 22)
 Count Date: 4/4/2017
 Counted By: JDA



AM PEAK HOUR TURNING MOVEMENT DATA
 All Vehicles

Start Time	TH 65				Viking Blvd				TH 65				Viking Blvd				Int. Total
	Southbound				Westbound				Northbound				Eastbound				
	Left	Thru	Right	Peds	Left	Thru	Right	Peds	Left	Thru	Right	Peds	Left	Thru	Right	Peds	
6:45	7	415	6	0	74	14	3	0	13	84	11	0	8	17	51	0	703
7:00	8	374	14	0	65	13	13	0	15	114	10	0	14	15	48	0	703
7:15	8	463	9	0	58	19	20	0	11	123	9	0	12	21	39	0	792
7:30	10	428	6	0	75	22	11	0	8	125	15	0	3	15	38	0	756
Total	33	1680	35	0	272	68	47	0	47	446	45	0	37	68	176	0	2954
% App. Total	1.9	96.1	2.0	0.0	15.6	3.9	2.7	0.0	2.7	25.5	2.6	0.0	2.1	3.9	10.1	0.0	
PHF	0.825	0.907	0.625	0.000	0.907	0.773	0.588	0.000	0.783	0.892	0.750	0.000	0.661	0.810	0.863	0.000	0.932
% Trucks	10.0	1.9	0.0	0.0	2.6	1.5	0.0	0.0	6.8	4.4	4.7	0.0	19.4	4.6	2.9	0.0	2.8
		2.0				2.1				4.7				5.2			

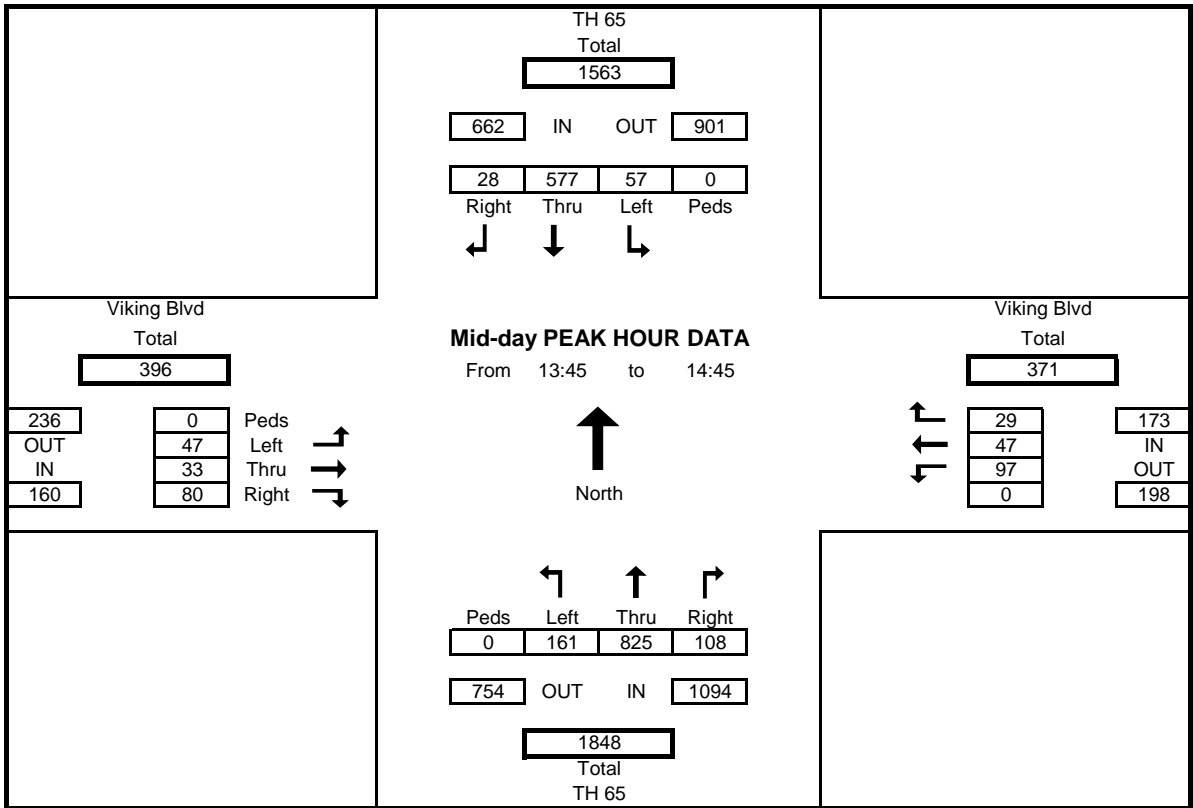


Location: TH 65 at Viking Blvd (CSAH 22)
 Count Date: 4/4/2017
 Counted By: JDA



Mid-Day PEAK HOUR TURNING MOVEMENT DATA
 All Vehicles

Start Time	TH 65				Viking Blvd				TH 65				Viking Blvd				Int. Total
	Southbound				Westbound				Northbound				Eastbound				
	Left	Thru	Right	Peds	Left	Thru	Right	Peds	Left	Thru	Right	Peds	Left	Thru	Right	Peds	
13:45	13	148	6	0	27	17	5	0	34	191	35	0	7	11	25	0	519
14:00	14	133	5	0	26	7	8	0	26	186	25	0	10	9	17	0	466
14:15	11	140	9	0	22	12	7	0	54	200	23	0	14	5	18	0	515
14:30	19	156	8	0	22	11	9	0	47	248	25	0	16	8	20	0	589
Total	57	577	28	0	97	47	29	0	161	825	108	0	47	33	80	0	2089
% App. Total	8.6	87.2	4.2	0.0	14.7	7.1	4.4	0.0	24.3	124.6	16.3	0.0	7.1	5.0	12.1	0.0	
PHF	0.750	0.925	0.778	0.000	0.898	0.691	0.806	0.000	0.745	0.832	0.771	0.000	0.734	0.750	0.800	0.000	0.887
% Trucks	9.6	6.3	3.7	0.0	5.4	11.9	16.0	0.0	3.2	4.6	1.9	0.0	14.6	3.1	5.3	0.0	
		6.4				8.8				4.1				7.4			5.5

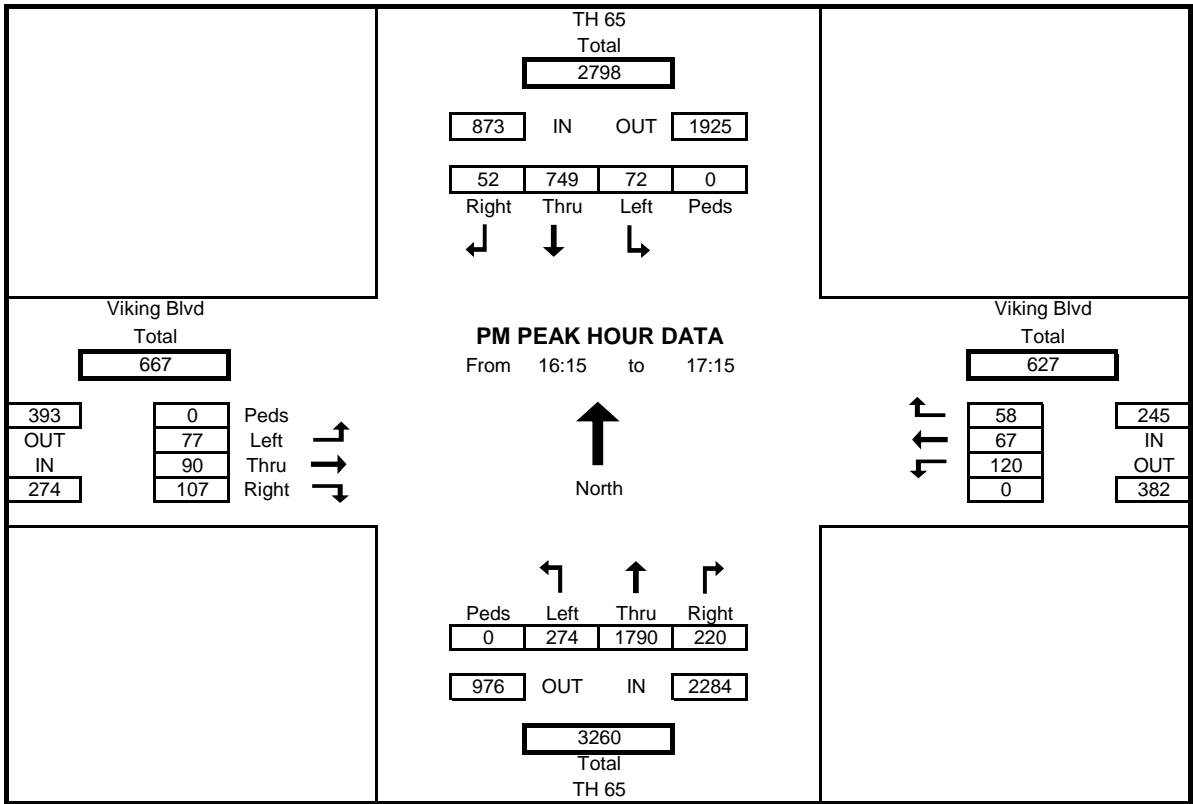


Location: TH 65 at Viking Blvd (CSAH 22)
 Count Date: 4/4/2017
 Counted By: JDA



AM PEAK HOUR TURNING MOVEMENT DATA
 All Vehicles

Start Time	TH 65				Viking Blvd				TH 65				Viking Blvd				Int. Total
	Southbound				Westbound				Northbound				Eastbound				
	Left	Thru	Right	Peds	Left	Thru	Right	Peds	Left	Thru	Right	Peds	Left	Thru	Right	Peds	
16:15	14	206	12	0	17	14	8	0	65	481	75	0	14	16	29	0	951
16:30	18	165	8	0	31	21	21	0	62	416	52	0	17	29	27	0	867
16:45	23	212	17	0	33	13	15	0	77	462	61	0	19	23	19	0	974
17:00	17	166	15	0	39	19	14	0	70	431	32	0	27	22	32	0	884
Total	72	749	52	0	120	67	58	0	274	1790	220	0	77	90	107	0	3676
% App. Total	8.2	85.8	6.0	0.0	13.7	7.7	6.6	0.0	31.4	205.0	25.2	0.0	8.8	10.3	12.3	0.0	
PHF	0.783	0.883	0.765	0.000	0.769	0.798	0.690	0.000	0.890	0.930	0.733	0.000	0.713	0.776	0.836	0.000	0.944
% Trucks	2.9	2.7	2.0	0.0	0.8	0.0	0.0	0.0	1.1	1.1	0.9	0.0	0.0	2.3	1.9	0.0	1.4
	2.7				0.4				1.1				1.5				



Location: TH 65 at Viking Blvd (CSAH 22)
 Count Date: 4/4/2017
 Counted By: JDA



TURNING MOVEMENT COUNT DATA

Cars+

Start Time	TH 65				Viking Blvd				TH 65				Viking Blvd				Int. Total
	Southbound				Westbound				Northbound				Eastbound				
	Left	Thru	Right	Peds	Left	Thru	Right	Peds	Left	Thru	Right	Peds	Left	Thru	Right	Peds	
6:00	1	433	6	0	42	14	4	0	3	33	5	0	3	13	24	0	581
6:15	2	520	10	0	75	15	5	0	5	63	3	0	7	7	38	0	750
6:30	1	469	5	0	72	14	5	0	2	88	4	0	4	11	39	0	714
6:45	6	406	6	0	74	14	3	0	11	83	11	0	7	15	49	0	685
7:00	7	365	14	0	63	13	13	0	15	107	9	0	12	15	46	0	679
7:15	8	458	9	0	58	19	20	0	10	120	9	0	9	20	38	0	778
7:30	9	420	6	0	70	21	11	0	8	117	14	0	3	15	38	0	732
7:45	7	332	8	0	47	14	10	0	12	130	13	0	13	15	38	0	639
8:00	6	282	5	0	37	8	6	0	21	116	14	0	6	10	35	0	546
8:15	7	273	7	0	36	15	7	0	20	91	10	0	6	11	33	0	516
8:30	9	251	13	0	32	7	7	0	14	88	15	0	6	11	39	0	492
8:45	5	200	7	0	30	14	13	0	16	102	11	0	6	5	26	0	435
9:00	14	210	8	0	29	8	6	0	20	79	8	0	10	8	23	0	423
9:15	12	172	13	0	26	12	6	0	13	85	13	0	8	4	33	0	397
9:30	6	173	5	0	23	10	5	0	19	97	16	0	8	12	32	0	406
9:45	13	180	9	0	29	11	7	0	18	95	20	0	3	12	21	0	418
10:00	4	173	6	0	25	10	5	0	18	98	9	0	8	8	21	0	385
10:15	3	134	5	0	12	6	1	0	20	103	16	0	5	6	20	0	331
10:30	6	126	13	0	24	11	9	0	14	106	14	0	11	7	17	0	358
10:45	6	128	3	0	22	7	4	0	12	102	12	0	8	5	27	0	336
11:00	7	153	4	0	16	10	7	0	26	83	18	0	15	6	14	0	359
11:15	7	124	6	0	14	8	1	0	18	115	23	0	7	7	22	0	352
11:30	8	135	2	0	27	8	5	0	17	137	14	0	7	5	11	0	376
11:45	8	99	6	0	17	6	6	0	24	124	19	0	10	7	15	0	341
12:00	3	130	10	0	17	4	11	0	30	123	21	0	5	8	16	0	378
12:15	4	137	7	0	16	5	9	0	20	114	26	0	9	7	14	0	368
12:30	9	141	11	0	24	8	7	0	20	155	17	0	6	8	15	0	421
12:45	7	109	11	0	21	5	7	0	20	117	32	0	14	8	21	0	372
13:00	7	140	8	0	21	5	6	0	19	127	30	0	7	10	18	0	398
13:15	10	143	6	0	21	7	1	0	25	153	19	0	14	7	19	0	425
13:30	4	135	11	0	21	10	3	0	25	179	13	0	10	2	17	0	430
13:45	11	139	6	0	27	17	4	0	34	184	33	0	6	11	22	0	494
14:00	13	128	5	0	25	7	6	0	26	175	25	0	10	8	17	0	445
14:15	11	131	9	0	21	9	7	0	50	190	23	0	11	5	17	0	484
14:30	17	145	7	0	19	9	8	0	46	240	25	0	14	8	20	0	558
14:45	10	140	12	0	20	18	5	0	34	263	37	0	14	19	18	0	590
15:00	6	114	14	0	18	15	5	0	31	284	35	0	8	12	23	0	565
15:15	11	157	10	0	17	12	7	0	37	387	48	0	14	9	27	0	736
15:30	11	162	7	0	21	14	8	0	59	355	54	0	18	12	26	0	747
15:45	15	202	17	0	7	17	10	0	67	391	74	0	15	10	24	0	849
16:00	16	152	8	0	36	11	30	0	40	379	56	0	14	14	35	0	791
16:15	14	200	12	0	17	14	8	0	64	475	75	0	14	16	28	0	937
16:30	18	162	8	0	30	21	21	0	61	413	51	0	17	28	26	0	856
16:45	21	208	16	0	33	13	15	0	76	458	60	0	19	22	19	0	960
17:00	17	159	15	0	39	19	14	0	70	425	32	0	27	22	32	0	871
17:15	23	205	5	0	21	18	6	0	72	463	38	0	30	19	29	0	929
17:30	13	141	9	0	29	28	14	0	72	418	23	0	19	20	32	0	818
17:45	22	158	7	0	20	14	8	0	45	330	43	0	13	16	20	0	696
18:00	17	133	13	0	28	15	10	0	38	264	31	0	8	16	24	0	597
18:15	14	174	10	0	21	16	9	0	47	279	28	0	11	16	24	0	649
18:30	8	100	8	0	13	6	13	0	37	214	29	0	18	15	28	0	489
18:45	10	89	6	0	22	13	3	0	39	188	32	0	4	14	21	0	441
Total	504	10350	444	0	1525	625	421	0	1560	10105	1310	0	551	597	1331	0	29323
Cars+	504	10350	444	0	1525	625	421	0	1560	10105	1310	0	551	597	1331	0	29323
Trucks	28	378	17	0	44	35	22	0	62	367	34	0	31	34	69	0	1121
% Trucks	5.6	3.7	3.8	0.0	2.9	5.6	5.2	0.0	4.0	3.6	2.6	0.0	5.6	5.7	5.2	0.0	3.8
		3.7				3.9				3.6				5.4			

Location: TH 65 at Viking Blvd (CSAH 22)
 Count Date: 4/4/2017
 Counted By: JDA



TURNING MOVEMENT COUNT DATA
Heavy Vehicles

Start Time	TH 65				Viking Blvd				TH 65				Viking Blvd				Int. Total
	Southbound				Westbound				Northbound				Eastbound				
	Left	Thru	Right	Bikes	Left	Thru	Right	Bikes	Left	Thru	Right	Bikes	Left	Thru	Right	Bikes	
6:00	0	8	0	0	0	1	0	0	2	3	0	0	0	0	2	0	16
6:15	2	10	0	0	0	0	0	0	1	5	0	0	0	0	0	0	18
6:30	1	6	0	0	0	1	0	0	0	8	0	0	0	0	1	0	17
6:45	1	9	0	0	0	0	0	0	2	1	0	0	1	2	2	0	18
7:00	1	9	0	0	2	0	0	0	0	7	1	0	2	0	2	0	24
7:15	0	5	0	0	0	0	0	0	1	3	0	0	3	1	1	0	14
7:30	1	8	0	0	5	1	0	0	0	8	1	0	0	0	0	0	24
7:45	1	12	0	0	2	1	0	0	1	10	0	0	0	1	4	0	32
8:00	1	12	0	0	2	1	0	0	3	4	1	0	0	5	0	0	29
8:15	0	9	0	0	0	0	0	0	3	3	4	0	0	0	0	0	19
8:30	0	7	3	0	2	0	1	0	4	7	2	0	0	2	3	0	31
8:45	1	8	0	0	1	3	1	0	0	13	0	0	1	0	1	0	29
9:00	0	6	0	0	0	1	1	0	2	10	0	0	1	1	3	0	25
9:15	0	9	0	0	0	0	0	0	2	8	0	0	1	2	1	0	23
9:30	0	11	0	0	0	1	0	0	1	9	0	0	0	2	3	0	27
9:45	0	3	1	0	1	1	2	0	3	9	1	0	1	1	5	0	28
10:00	1	12	2	0	0	0	1	0	1	16	0	0	1	1	2	0	37
10:15	2	5	0	0	0	0	1	0	0	9	0	0	2	0	3	0	22
10:30	0	14	0	0	1	3	0	0	1	5	1	0	0	0	0	0	25
10:45	1	6	0	0	4	2	0	0	2	8	0	0	1	0	1	0	25
11:00	0	8	0	0	1	0	1	0	1	9	1	0	1	0	1	0	23
11:15	0	10	2	0	0	0	0	0	0	6	1	0	0	2	1	0	22
11:30	1	11	2	0	1	1	1	0	0	9	0	0	1	0	0	0	27
11:45	0	9	0	0	0	1	0	0	1	6	0	0	1	1	4	0	23
12:00	0	13	0	0	1	0	2	0	2	10	2	0	1	2	2	0	35
12:15	1	11	0	0	0	0	1	0	1	10	1	0	0	0	2	0	27
12:30	0	4	0	0	0	0	0	0	0	10	1	0	0	0	1	0	16
12:45	1	7	0	0	1	1	2	0	4	8	0	0	0	0	2	0	26
13:00	0	10	1	0	0	0	0	0	1	15	1	0	2	1	3	0	34
13:15	0	14	1	0	0	1	1	0	1	6	0	0	0	0	3	0	27
13:30	1	7	0	0	1	0	1	0	3	9	0	0	1	1	2	0	26
13:45	2	9	0	0	0	0	1	0	0	7	2	0	1	0	3	0	25
14:00	1	5	0	0	1	0	2	0	0	11	0	0	0	1	0	0	21
14:15	0	9	0	0	1	3	0	0	4	10	0	0	3	0	1	0	31
14:30	2	11	1	0	3	2	1	0	1	8	0	0	2	0	0	0	31
14:45	3	5	0	0	2	1	1	0	1	14	0	0	1	2	0	0	30
15:00	0	6	0	0	1	1	0	0	2	5	1	0	1	0	2	0	19
15:15	0	5	0	0	0	1	0	0	0	12	1	0	0	1	2	0	22
15:30	0	7	2	0	1	2	0	0	4	8	1	0	0	0	0	0	25
15:45	1	7	0	0	0	1	0	0	0	5	5	0	1	2	1	0	23
16:00	0	2	0	0	7	3	0	0	1	6	0	0	0	0	2	0	21
16:15	0	6	0	0	0	0	0	0	1	6	0	0	0	0	1	0	14
16:30	0	3	0	0	1	0	0	0	1	3	1	0	0	1	1	0	11
16:45	2	4	1	0	0	0	0	0	1	4	1	0	0	1	0	0	14
17:00	0	7	0	0	0	0	0	0	0	6	0	0	0	0	0	0	13
17:15	0	4	0	0	1	1	0	0	1	4	0	0	0	0	1	0	12
17:30	0	2	0	0	0	0	0	0	0	1	1	0	0	0	0	0	4
17:45	0	3	0	0	1	0	1	0	0	4	0	0	0	0	0	0	9
18:00	0	5	0	0	0	0	0	0	1	4	0	0	1	0	0	0	11
18:15	0	4	0	0	0	0	0	0	0	0	2	0	0	0	0	0	6
18:30	0	0	0	0	0	0	0	0	1	4	0	0	0	0	0	0	5
18:45	0	1	1	0	0	0	0	0	0	1	1	0	0	1	0	0	5
Total	28	378	17	0	44	35	22	0	62	367	34	0	31	34	69	0	1121
Cars+	504	10350	444	0	1525	625	421	0	1560	10105	1310	0	551	597	1331	0	29323
Trucks	28	378	17	0	44	35	22	0	62	367	34	0	31	34	69	0	1121
% Trucks	5.6	3.7	3.8	0.0	2.9	5.6	5.2	0.0	4.0	3.6	2.6	0.0	5.6	5.7	5.2	0.0	3.8
		3.7				3.9				3.6				5.4			