



MINNESOTA DEPT OF TRANSPORTATION

TRAFFIC DATA COLLECTION - METRO

Hopkins Cross Rd/CSAH-73 at 5th St N
 ref.pt.:
 Counter: Ken Levin ALLIANT CONSULT
 TURN MOVEMENT COUNT

File Name : Hopkins Cross Rd at 5th St N 2007
 Site Code : 00000146
 Start Date : 11/28/2007
 Page No : 1

Groups Printed- Cars & Trucks

Start Time	CSAH-73 / Hopkins Cross Rd Southbound				5th St N Westbound				CSAH-73 / Hopkins Cross Rd Northbound				Minnetonka Mills Rd. Eastbound				Int. Total
	Left	Thru	Right	Peds	Left	Thru	Right	Peds	Left	Thru	Right	Peds	Left	Thru	Right	Peds	
06:00	3	11	0	0	2	0	1	0	3	14	2	0	0	1	1	0	38
06:15	3	14	2	0	3	1	3	0	9	10	2	0	3	3	5	0	58
06:30	6	19	5	0	4	1	2	0	7	11	0	0	10	4	13	0	82
06:45	3	41	5	0	11	3	7	0	12	40	2	0	6	4	7	0	141
Total	15	85	12	0	20	5	13	0	31	75	6	0	19	12	26	0	319
07:00	8	32	7	0	12	0	10	0	11	45	5	0	8	5	7	0	150
07:15	8	53	8	0	14	1	11	0	10	64	2	0	17	5	18	0	211
07:30	5	64	9	0	8	1	13	0	18	141	1	0	11	9	19	0	299
07:45	14	75	10	0	17	2	10	0	19	102	7	0	8	10	13	0	287
Total	35	224	34	0	51	4	44	0	58	352	15	0	44	29	57	0	947
08:00	13	65	8	0	16	2	11	0	19	63	2	0	9	6	12	0	226
08:15	10	52	17	0	16	4	10	0	24	57	4	0	10	8	21	1	234
08:30	14	35	10	0	14	7	16	0	21	37	5	0	10	13	16	0	198
08:45	17	45	13	0	16	7	7	0	23	36	6	0	14	21	18	0	223
Total	54	197	48	0	62	20	44	0	87	193	17	0	43	48	67	1	881
09:00	19	41	7	0	31	10	14	0	14	38	7	0	11	3	20	0	215
09:15	9	49	6	0	25	5	12	0	12	29	5	0	10	7	18	0	187
*** BREAK ***																	
Total	28	90	13	0	56	15	26	0	26	67	12	0	21	10	38	0	402
*** BREAK ***																	
10:30	8	31	10	0	8	4	6	0	18	37	3	0	8	5	18	0	156
10:45	11	37	11	0	15	7	14	0	34	36	6	0	12	10	22	1	216
Total	19	68	21	0	23	11	20	0	52	73	9	0	20	15	40	1	372
11:00	10	34	21	0	16	3	8	0	40	33	1	0	11	6	25	0	208
11:15	4	36	20	0	18	9	7	0	37	34	9	0	17	10	25	0	226
11:30	10	43	15	0	10	8	16	0	33	37	8	0	19	10	25	0	234
11:45	9	34	16	0	21	10	7	0	31	38	5	0	11	2	29	0	213
Total	33	147	72	0	65	30	38	0	141	142	23	0	58	28	104	0	881
12:00	11	40	10	0	18	2	17	0	29	37	4	0	12	10	43	0	233
12:15	10	45	16	0	12	4	6	0	28	48	8	0	18	5	25	0	225
12:30	12	45	9	0	18	8	3	0	28	43	5	0	12	5	31	0	219
12:45	7	44	11	0	21	4	7	0	36	46	8	0	23	7	26	0	240
Total	40	174	46	0	69	18	33	0	121	174	25	0	65	27	125	0	917
13:00	4	47	16	0	15	4	6	0	43	56	10	0	17	7	24	0	249
13:15	7	53	25	0	0	0	36	0	29	36	10	0	11	8	27	0	242
*** BREAK ***																	
Total	11	100	41	0	15	4	42	0	72	92	20	0	28	15	51	0	491
*** BREAK ***																	
14:30	7	41	12	0	11	5	11	0	27	50	7	0	10	7	20	0	208
14:45	16	114	18	0	15	7	9	0	42	65	9	0	16	6	35	0	352
Total	23	155	30	0	26	12	20	0	69	115	16	0	26	13	55	0	560
15:00	13	62	20	0	28	5	12	0	38	59	11	0	22	10	29	0	309
15:15	16	54	13	0	18	11	17	0	23	49	7	0	18	8	28	0	262
15:30	17	52	18	0	27	10	24	0	34	64	9	0	23	8	14	0	300
15:45	16	62	16	0	28	20	20	0	43	80	6	0	12	8	23	0	334
Total	62	230	67	0	101	46	73	0	138	252	33	0	75	34	94	0	1205



MINNESOTA DEPT OF TRANSPORTATION

TRAFFIC DATA COLLECTION - METRO

Hopkins Cross Rd/CSAH-73 at 5th St N
 ref.pt.:
 Counter: Ken Levin ALLIANT CONSULT
 TURN MOVEMENT COUNT

File Name : Hopkins Cross Rd at 5th St N 2007
 Site Code : 00000146
 Start Date : 11/28/2007
 Page No : 2

Groups Printed- Cars & Trucks

Start Time	CSAH-73 / Hopkins Cross Rd Southbound				5th St N Westbound				CSAH-73 / Hopkins Cross Rd Northbound				Minnetonka Mills Rd. Eastbound				Int. Total
	Left	Thru	Right	Peds	Left	Thru	Right	Peds	Left	Thru	Right	Peds	Left	Thru	Right	Peds	
16:00	10	59	21	0	13	10	18	0	35	69	8	0	20	5	35	0	303
16:15	12	67	19	0	21	8	24	0	28	84	11	0	19	7	20	0	320
16:30	11	72	19	0	15	15	19	0	41	83	12	0	16	7	34	1	345
16:45	14	71	13	0	21	14	22	0	36	134	5	0	22	9	23	0	384
Total	47	269	72	0	70	47	83	0	140	370	36	0	77	28	112	1	1352
17:00	12	99	15	0	28	9	16	0	32	105	18	0	26	12	25	0	397
17:15	14	97	18	0	16	12	17	0	35	141	14	0	21	5	28	0	418
17:30	16	73	13	0	20	9	23	0	38	114	10	0	26	9	37	0	388
17:45	6	58	17	0	24	6	12	0	32	106	17	0	11	3	19	0	311
Total	48	327	63	0	88	36	68	0	137	466	59	0	84	29	109	0	1514
Grand Total	415	2066	519	0	646	248	504	0	1072	2371	271	0	560	288	878	3	9841
Apprch %	13.8	68.9	17.3	0	46.2	17.7	36.1	0	28.9	63.8	7.3	0	32.4	16.7	50.8	0.2	
Total %	4.2	21	5.3	0	6.6	2.5	5.1	0	10.9	24.1	2.8	0	5.7	2.9	8.9	0	



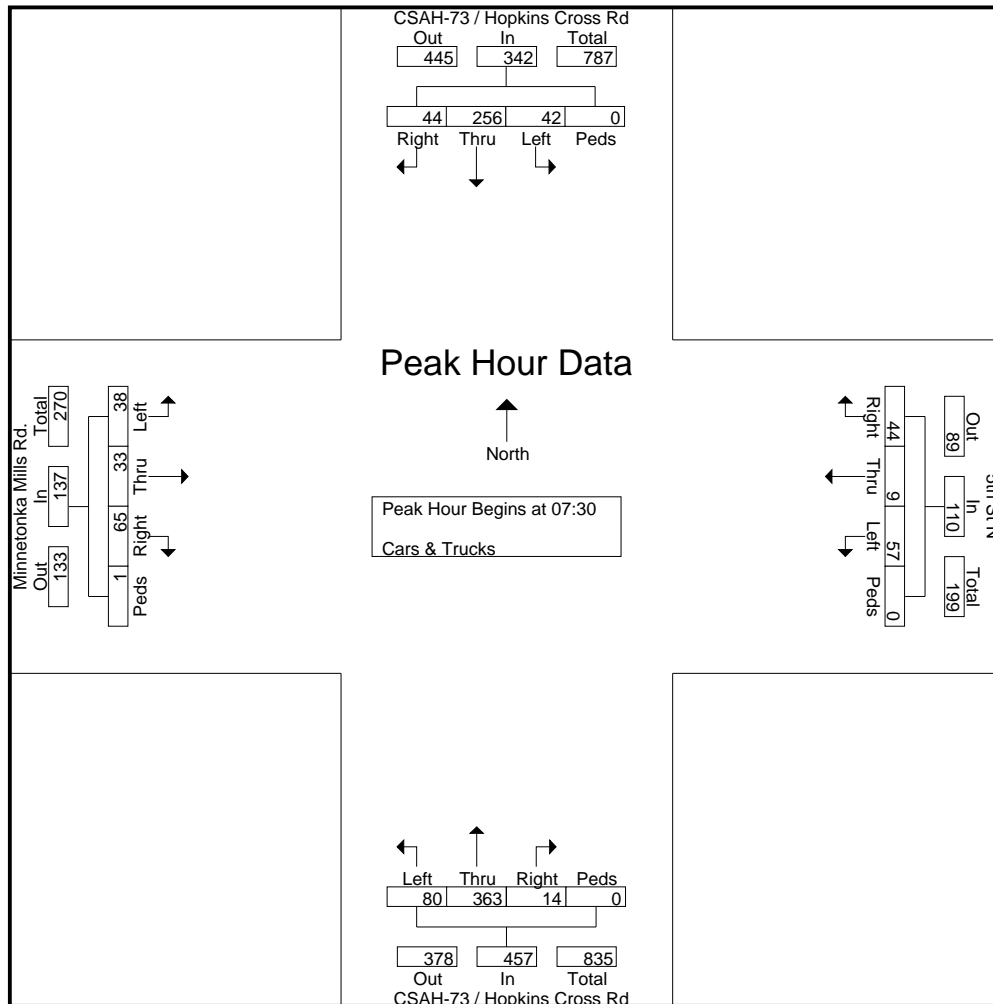
MINNESOTA DEPT OF TRANSPORTATION

TRAFFIC DATA COLLECTION - METRO

Hopkins Cross Rd/CSAH-73 at 5th St N
 ref.pt.:
 Counter: Ken Levin ALLIANT CONSULT
 TURN MOVEMENT COUNT

File Name : Hopkins Cross Rd at 5th St N 2007
 Site Code : 00000146
 Start Date : 11/28/2007
 Page No : 3

Start Time	CSAH-73 / Hopkins Cross Rd Southbound					5th St N Westbound					CSAH-73 / Hopkins Cross Rd Northbound					Minnetonka Mills Rd. Eastbound					Int. Total
	Left	Thru	Right	Peds	App. Total	Left	Thru	Right	Peds	App. Total	Left	Thru	Right	Peds	App. Total	Left	Thru	Right	Peds	App. Total	
Peak Hour Analysis From 06:00 to 09:15 - Peak 1 of 1																					
Peak Hour for Entire Intersection Begins at 07:30																					
07:30	5	64	9	0	78	8	1	13	0	22	18	141	1	0	160	11	9	19	0	39	299
07:45	14	75	10	0	99	17	2	10	0	29	19	102	7	0	128	8	10	13	0	31	287
08:00	13	65	8	0	86	16	2	11	0	29	19	63	2	0	84	9	6	12	0	27	226
08:15	10	52	17	0	79	16	4	10	0	30	24	57	4	0	85	10	8	21	1	40	234
Total Volume	42	256	44	0	342	57	9	44	0	110	80	363	14	0	457	38	33	65	1	137	1046
% App. Total																					
PHF	.750	.853	.647	.000	.864	.838	.563	.846	.000	.917	.833	.644	.500	.000	.714	.864	.825	.774	.250	.856	.875





MINNESOTA DEPT OF TRANSPORTATION

TRAFFIC DATA COLLECTION - METRO

Hopkins Cross Rd/CSAH-73 at 5th St N
 ref.pt.:
 Counter: Ken Levin ALLIANT CONSULT
 TURN MOVEMENT COUNT

File Name : Hopkins Cross Rd at 5th St N 2007
 Site Code : 00000146
 Start Date : 11/28/2007
 Page No : 4

Start Time	CSAH-73 / Hopkins Cross Rd Southbound					5th St N Westbound					CSAH-73 / Hopkins Cross Rd Northbound					Minnetonka Mills Rd. Eastbound					Int. Total
	Left	Thru	Right	Peds	App. Total	Left	Thru	Right	Peds	App. Total	Left	Thru	Right	Peds	App. Total	Left	Thru	Right	Peds	App. Total	
Peak Hour Analysis From 14:30 to 17:45 - Peak 1 of 1																					
Peak Hour for Entire Intersection Begins at 16:45																					
16:45	14	71	13	0	98	21	14	22	0	57	36	134	5	0	175	22	9	23	0	54	384
17:00	12	99	15	0	126	28	9	16	0	53	32	105	18	0	155	26	12	25	0	63	397
17:15	14	97	18	0	129	16	12	17	0	45	35	141	14	0	190	21	5	28	0	54	418
17:30	16	73	13	0	102	20	9	23	0	52	38	114	10	0	162	26	9	37	0	72	388
Total Volume	56	340	59	0	455	85	44	78	0	207	141	494	47	0	682	95	35	113	0	243	1587
% App. Total																					
PHF	.875	.859	.819	.000	.882	.759	.786	.848	.000	.908	.928	.876	.653	.000	.897	.913	.729	.764	.000	.844	.949

