

TRAFFIC DATA INC.

3268 Xenwood Ave S
St Louis Park, MN 55416

TH-8 at Pioneer Rd/Green LkTrl/CSAH-23

Ref.Pt.: 004.459

TDI Inc

TURN MOVEMENT COUNT

File Name : 2681119 Hwy 8 & CR 23

Site Code : 2681119

Start Date : 2/23/2011

Page No : 1

Groups Printed- Class 1

Start Time	TH-8 Southbound				GreenLake Trail / CSAH-23 Westbound				TH-8 Northbound				Pioneer Rd Eastbound				Int. Total
	Left	Thru	Right	Peds	Left	Thru	Right	Peds	Left	Thru	Right	Peds	Left	Thru	Right	Peds	
06:00	1	173	1	0	59	1	1	0	0	27	5	0	0	1	7	0	276
06:15	0	203	0	0	58	3	1	0	0	27	7	0	1	2	4	0	306
06:30	0	161	1	0	71	8	1	0	1	37	11	0	0	4	5	0	300
06:45	0	168	0	0	80	11	1	0	2	36	13	0	1	7	4	0	323
Total	1	705	2	0	268	23	4	0	3	127	36	0	2	14	20	0	1205
07:00	2	193	1	0	94	5	0	0	0	52	13	0	0	10	15	0	385
07:15	0	169	0	0	69	5	2	0	0	64	14	0	0	7	10	0	340
07:30	0	166	1	0	78	18	2	0	1	95	10	0	2	3	5	0	381
07:45	1	147	0	0	63	14	2	0	2	95	18	0	1	3	6	0	352
Total	3	675	2	0	304	42	6	0	3	306	55	0	3	23	36	0	1458
08:00	1	109	2	0	54	5	3	0	1	63	14	0	1	5	11	0	269
08:15	1	105	0	0	50	8	2	0	2	54	10	0	0	3	6	0	241
08:30	1	118	0	0	42	8	1	0	2	64	5	0	1	3	3	0	248
08:45	2	116	0	0	45	3	3	0	0	53	8	0	0	6	7	0	243
Total	5	448	2	0	191	24	9	0	5	234	37	0	2	17	27	0	1001
09:00	0	105	0	0	41	6	3	0	2	54	3	0	1	2	3	0	220
09:15	1	117	0	0	49	4	0	0	0	49	7	0	0	0	3	0	230
09:30	1	105	1	0	28	2	2	0	1	62	9	0	1	2	4	0	218
09:45	1	104	1	0	26	4	0	0	2	58	11	0	1	1	3	0	212
Total	3	431	2	0	144	16	5	0	5	223	30	0	3	5	13	0	880
10:00	1	77	1	0	27	3	0	0	0	67	12	0	1	3	3	0	195
10:15	0	85	0	0	24	3	0	0	0	63	11	0	0	1	2	0	189
10:30	1	102	0	0	25	3	1	0	1	68	16	0	0	4	4	0	225
10:45	0	80	0	0	21	1	1	0	2	84	16	0	0	1	1	0	207
Total	2	344	1	0	97	10	2	0	3	282	55	0	1	9	10	0	816
11:00	1	85	0	0	17	6	0	0	5	71	10	0	2	3	3	0	203
11:15	1	75	0	0	26	2	1	0	2	70	22	0	0	2	5	0	206
11:30	2	98	1	0	18	3	0	0	3	62	25	0	0	2	2	0	216
11:45	4	99	0	0	11	1	1	0	2	76	17	0	1	1	1	0	214
Total	8	357	1	0	72	12	2	0	12	279	74	0	3	8	11	0	839
12:00	2	91	1	0	16	5	2	0	1	81	21	0	0	4	3	0	227
12:15	0	105	0	0	20	6	2	0	4	66	19	0	1	1	4	0	228
12:30	3	96	2	0	22	5	1	0	2	80	26	0	0	2	3	0	242
12:45	0	90	0	0	17	3	3	0	2	88	20	0	0	1	1	0	225
Total	5	382	3	0	75	19	8	0	9	315	86	0	1	8	11	0	922
13:00	1	65	0	0	19	4	2	0	3	95	20	0	1	2	2	0	214
13:15	2	78	2	0	25	1	0	0	2	84	21	0	0	2	2	0	219
13:30	2	95	1	0	20	4	2	0	5	78	30	0	1	5	2	0	245
13:45	0	79	0	0	21	2	1	0	3	102	18	0	1	3	2	0	232
Total	5	317	3	0	85	11	5	0	13	359	89	0	3	12	8	0	910
14:00	2	79	2	0	26	5	5	1	1	93	24	0	2	4	4	0	248
14:15	2	82	0	0	23	2	2	0	3	95	37	0	0	1	1	0	248
14:30	2	70	1	0	24	11	2	0	2	111	41	0	0	5	2	0	271
14:45	3	94	0	0	16	10	0	0	1	123	43	0	0	4	2	0	296
Total	9	325	3	0	89	28	9	1	7	422	145	0	2	14	9	0	1063
15:00	2	89	0	0	28	7	1	0	5	128	53	0	1	4	10	0	328
15:15	0	74	1	0	29	10	3	0	6	149	55	0	2	5	3	0	337
15:30	2	103	0	0	19	6	1	0	2	153	57	0	0	9	5	0	357

TRAFFIC DATA INC.

3268 Xenwood Ave S
St Louis Park, MN 55416

TH-8 at Pioneer Rd/Green LkTrl/CSAH-23
Ref.Pt.: 004.459
TDI Inc
TURN MOVEMENT COUNT

File Name : 2681119 Hwy 8 & CR 23
Site Code : 2681119
Start Date : 2/23/2011
Page No : 2

Groups Printed- Class 1

Start Time	TH-8 Southbound				GreenLake Trail / CSAH-23 Westbound				TH-8 Northbound				Pioneer Rd Eastbound				Int. Total
	Left	Thru	Rght	Peds	Left	Thru	Rght	Peds	Left	Thru	Rght	Peds	Left	Thru	Rght	Peds	
15:45	0	63	2	0	23	6	3	0	5	189	58	0	1	14	2	0	366
Total	4	329	3	0	99	29	8	0	18	619	223	0	4	32	20	0	1388
16:00	1	98	2	0	26	10	0	0	12	171	60	0	1	16	4	0	401
16:15	0	96	1	0	26	3	2	0	14	204	65	0	1	11	2	0	425
16:30	3	100	2	0	29	6	1	0	4	214	87	0	1	16	7	0	470
16:45	2	123	2	0	18	7	2	0	10	207	74	0	0	8	5	0	458
Total	6	417	7	0	99	26	5	0	40	796	286	0	3	51	18	0	1754
17:00	2	107	1	0	23	12	3	0	6	209	85	0	2	8	3	0	461
17:15	4	87	2	0	26	8	1	0	6	183	76	0	0	6	2	0	401
17:30	1	86	1	0	24	4	2	0	6	196	78	0	0	12	2	0	412
17:45	1	61	2	0	19	5	3	0	6	195	77	0	1	4	3	0	377
Total	8	341	6	0	92	29	9	0	24	783	316	0	3	30	10	0	1651
18:00	3	69	2	0	18	6	0	0	8	143	64	1	1	8	2	0	325
18:15	2	57	0	0	17	4	1	0	6	137	63	1	1	9	1	0	299
18:30	0	55	0	0	22	1	3	0	6	145	41	0	1	6	2	0	282
18:45	2	51	1	0	21	5	1	0	5	118	39	0	2	6	1	0	252
Total	7	232	3	0	78	16	5	0	25	543	207	2	5	29	6	0	1158
Grand Total	66	5303	38	0	1693	285	77	1	167	5288	1639	2	35	252	199	0	15045
Apprch %	1.2	98.1	0.7	0	82.3	13.9	3.7	0	2.4	74.5	23.1	0	7.2	51.9	40.9	0	
Total %	0.4	35.2	0.3	0	11.3	1.9	0.5	0	1.1	35.1	10.9	0	0.2	1.7	1.3	0	

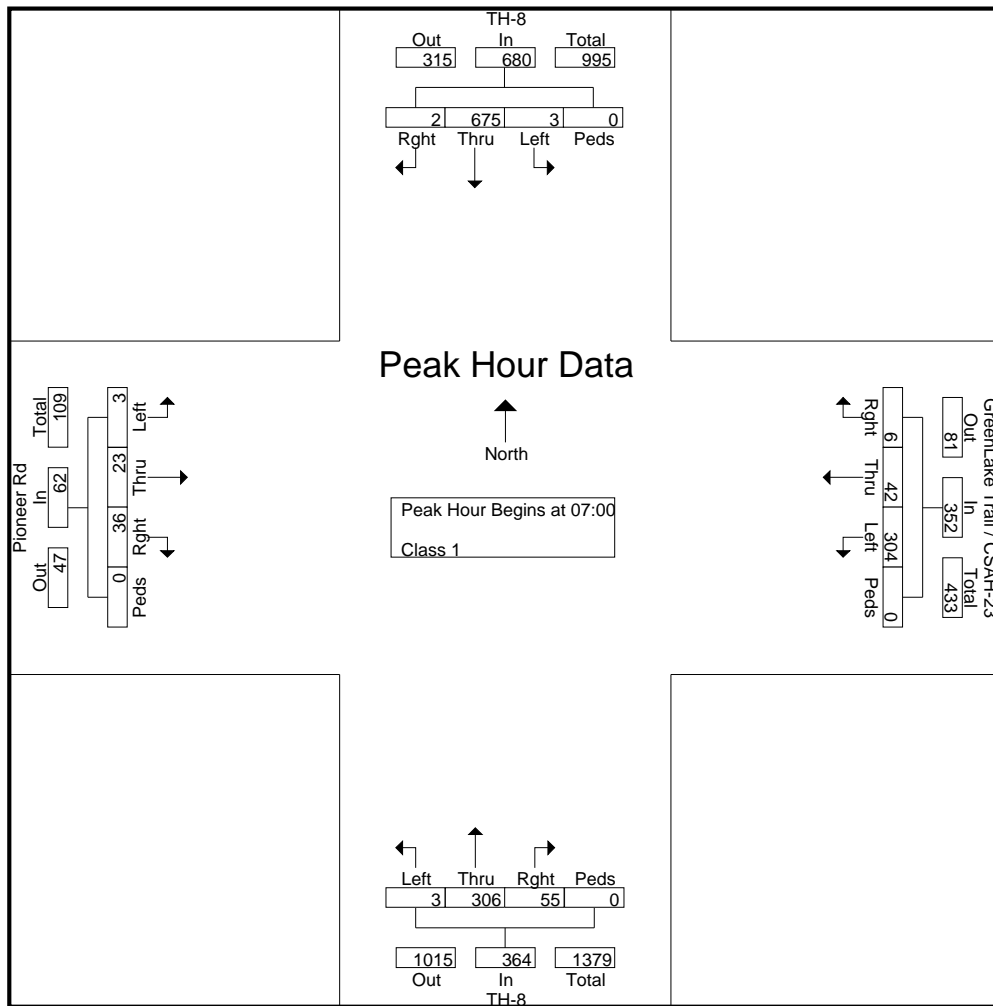
TRAFFIC DATA INC.

3268 Xenwood Ave S
St Louis Park, MN 55416

TH-8 at Pioneer Rd/Green LkTrl/CSAH-23
Ref.Pt.: 004.459
TDI Inc
TURN MOVEMENT COUNT

File Name : 2681119 Hwy 8 & CR 23
Site Code : 2681119
Start Date : 2/23/2011
Page No : 3

Start Time	TH-8 Southbound					GreenLake Trail / CSAH-23 Westbound					TH-8 Northbound					Pioneer Rd Eastbound					Int. Total
	Left	Thru	Rght	Peds	App. Total	Left	Thru	Rght	Peds	App. Total	Left	Thru	Rght	Peds	App. Total	Left	Thru	Rght	Peds	App. Total	
Peak Hour Analysis From 06:00 to 09:30 - Peak 1 of 1																					
Peak Hour for Entire Intersection Begins at 07:00																					
07:00	2	193	1	0	196	94	5	0	0	99	0	52	13	0	65	0	10	15	0	25	385
07:15	0	169	0	0	169	69	5	2	0	76	0	64	14	0	78	0	7	10	0	17	340
07:30	0	166	1	0	167	78	18	2	0	98	1	95	10	0	106	2	3	5	0	10	381
07:45	1	147	0	0	148	63	14	2	0	79	2	95	18	0	115	1	3	6	0	10	352
Total Volume	3	675	2	0	680	304	42	6	0	352	3	306	55	0	364	3	23	36	0	62	1458
% App. Total	0.4	99.3	0.3	0		86.4	11.9	1.7	0		0.8	84.1	15.1	0		4.8	37.1	58.1	0		
PHF	.375	.874	.500	.000	.867	.809	.583	.750	.000	.889	.375	.805	.764	.000	.791	.375	.575	.600	.000	.620	.947



TRAFFIC DATA INC.

3268 Xenwood Ave S
St Louis Park, MN 55416

TH-8 at Pioneer Rd/Green LkTrl/CSAH-23
Ref.Pt.: 004.459
TDI Inc
TURN MOVEMENT COUNT

File Name : 2681119 Hwy 8 & CR 23
Site Code : 2681119
Start Date : 2/23/2011
Page No : 4

Start Time	TH-8 Southbound					GreenLake Trail / CSAH-23 Westbound					TH-8 Northbound					Pioneer Rd Eastbound					Int. Total
	Left	Thru	Rght	Peds	App. Total	Left	Thru	Rght	Peds	App. Total	Left	Thru	Rght	Peds	App. Total	Left	Thru	Rght	Peds	App. Total	
Peak Hour Analysis From 14:30 to 18:45 - Peak 1 of 1																					
Peak Hour for Entire Intersection Begins at 16:15																					
16:15	0	96	1	0	97	26	3	2	0	31	14	204	65	0	283	1	11	2	0	14	425
16:30	3	100	2	0	105	29	6	1	0	36	4	214	87	0	305	1	16	7	0	24	470
16:45	2	123	2	0	127	18	7	2	0	27	10	207	74	0	291	0	8	5	0	13	458
17:00	2	107	1	0	110	23	12	3	0	38	6	209	85	0	300	2	8	3	0	13	461
Total Volume	7	426	6	0	439	96	28	8	0	132	34	834	311	0	1179	4	43	17	0	64	1814
% App. Total	1.6	97	1.4	0		72.7	21.2	6.1	0		2.9	70.7	26.4	0		6.2	67.2	26.6	0		
PHF	.583	.866	.750	.000	.864	.828	.583	.667	.000	.868	.607	.974	.894	.000	.966	.500	.672	.607	.000	.667	.965

